



Products for Professional Water Features

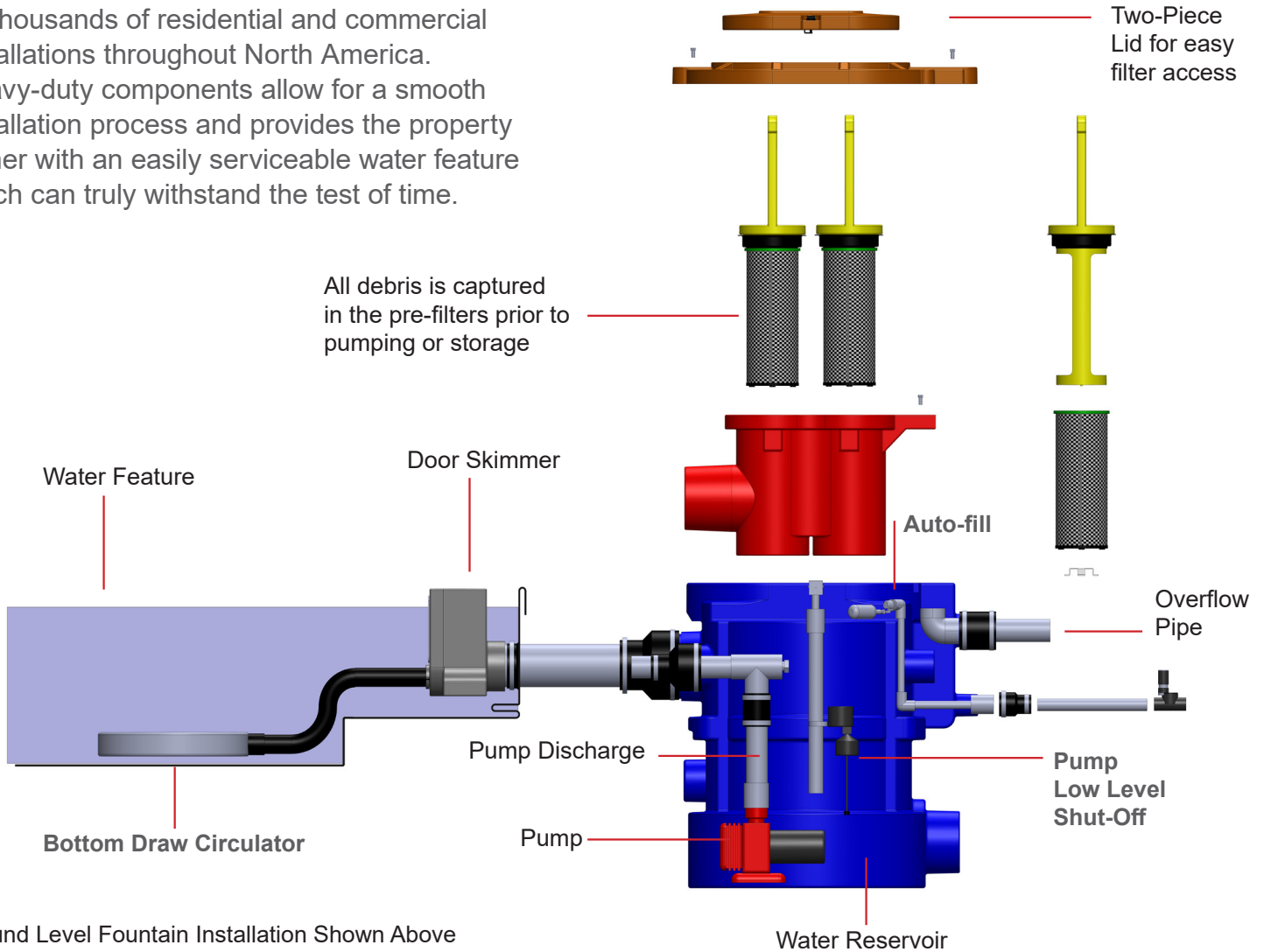
WATERFALLS • STREAMS • PONDS

FILTRIFIC[®]
PRODUCT CATALOG

PRECISE EQUIPMENT FOR PROFESSIONAL INSTALLATIONS

RESIDENTIAL & COMMERCIAL

For over 25 years Filtrific has been trusted on thousands of residential and commercial installations throughout North America. Heavy-duty components allow for a smooth installation process and provides the property owner with an easily serviceable water feature which can truly withstand the test of time.



Ground Level Fountain Installation Shown Above
See www.filtrific.com for details on other installation types, skimmer attachments and accessories.



STREAMS



STREAMS WITH POOLS



WATERFALLS

FILTRIFIC® ADVANTAGES



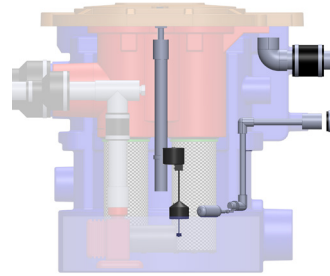
VARIETY OF BUILT-IN CONNECTION PORTS

No more drilling and having to build custom ports. Filtrific's Filter Tank features a variety of pre-built ports of various sizes to adapt to the installation's often complex piping demands.



EASILY ACCESSIBLE FILTRATION

The Filtrific Filter Tank features built-in, customizable filtration. Different mesh sizes are available to customize the filtration level to the site-specific requirements.



ALL SYSTEM MECHANICS IN ONE LOCATION

The Filter Tank has been engineered to provide room for multiple large pumps, as well as additional hardware such as auto-fill and pump shut-off devices. Additionally, the Filter Tank includes a built-in overflow port.



EXPANDABLE RESERVOIR

Often times a project will require storage for water in transit. The Filtrific Filter Tank features either 40, 75 or 390 gallons of built-in storage (depending on model). If that's not enough, the reservoir can be expanded by utilizing an Expansion Tank.



REMOTE PLACEMENT

The Filtrific Filter Tank has been designed to be optionally placed away from the water feature to preserve the aesthetics of the design.



SMALL AND LARGE FLOWS

The Filtrific Filter Tank is well equipped to handle a wide variety of installation sizes from the delicate bubbling rock feature to a multi-tiered waterfall pushing up to 800 GPM.



FIXTURES & COMPONENTS

Filtrific offers an extensive variety of fixtures and components for use with the huge of water feature designs. From UV filtration to skimmers and waterfall starters, Filtrific's well-engineered products help bring the project to fruition.



TOUGH EQUIPMENT

Every Filtrific product is engineered to withstand the demands of a commercial job site. Solid material and rigorous in-house quality control provides unmatched strength and durability.



PONDS



MEANDERING STREAMS AND POOLS



WATER ACCENTS



A VISION OF EXCELLENCE.

Filtrific® strives to provide customers with the best service and highest quality products in the water feature industry. Continuous efforts toward innovation, as well as a higher standard of products underscore this commitment to excellence. This vision of service is to serve all those involved in the design, distribution, installation, and enjoyment of all types of water feature creations.

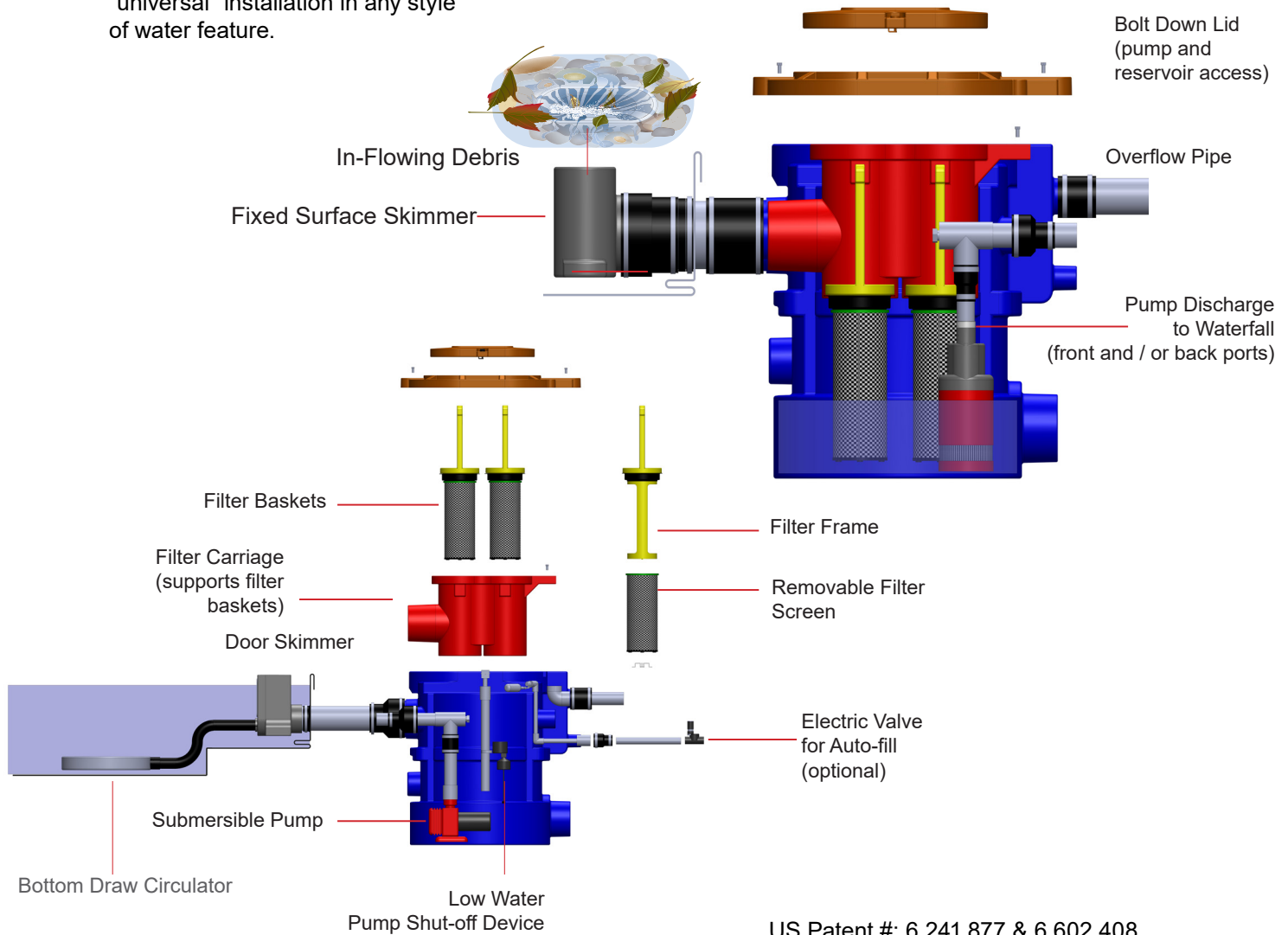


Filter Tanks	6
T40F.....	8
T75F.....	10
T390F.....	12
Additional Containment	
T40SP.....	16
T165XP.....	20
Filter Tank Lid Extensions.....	22
Tank Measurements.....	23
Vanishing Water Component Packages	26
Vanishing Water Fixed Skimmer.....	28
Pond Component Packages	32
Pond Door Skimmer.....	34
Remote Pond Skimmers.....	36
Circulators.....	38
UV Clarifiers.....	41
Waterfall Starter.....	42
Pump Discharge.....	44
Mechanical Auto-Fill.....	45
Electric Auto-Fill.....	47
Pump Shut-Off.....	48
Connection Fittings.....	49
Warranty.....	50

INSIDE A FILTER TANK | FILTER TANKS

THREE MODELS, ONE CONCEPT

Each of Filtrific®'s three models of Filter Tanks contain the same components: the Access Cap, Filter Baskets, Bolt Down Lid, Filter Carriage, and the Filter Tank. Certain specifications vary by model, but the mechanics and engineering remain constant. Remote placement, advanced filtering options, and the ability to house multiple pumps are just a few of the many design and installation advantages unique to the Filtrific® Filter Tank. The ability to connect multiple skimming options to each Filter Tank makes for a more "universal" installation in any style of water feature.

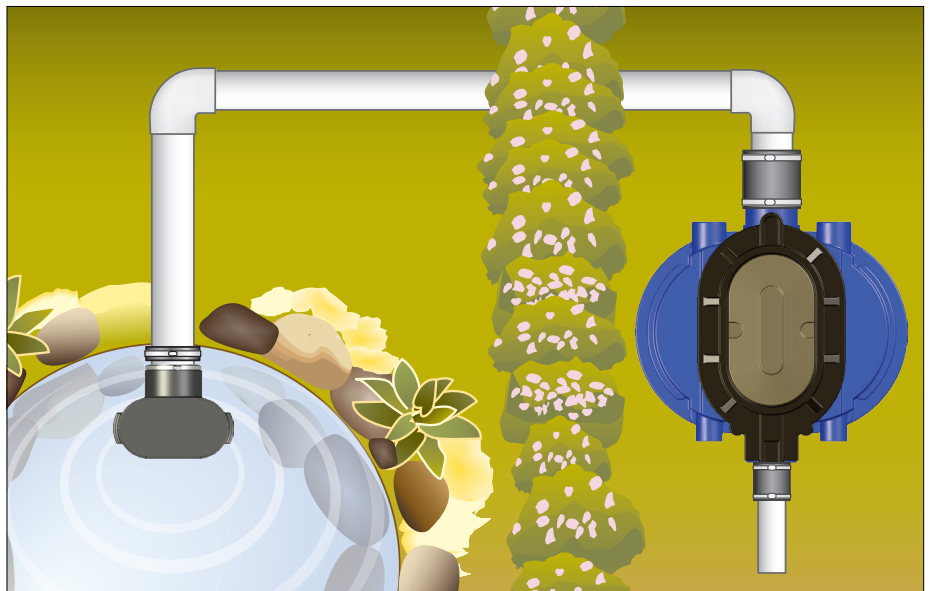


US Patent #: 6,241,877 & 6,602,408



SERVICEABILITY

Serviceability is easy with Filtrific® Filter Tanks. Simply open the Access Cap, lift out the basket and empty the debris. Most of the lid remains below the mulch, only the access cap needs to be exposed for servicing.

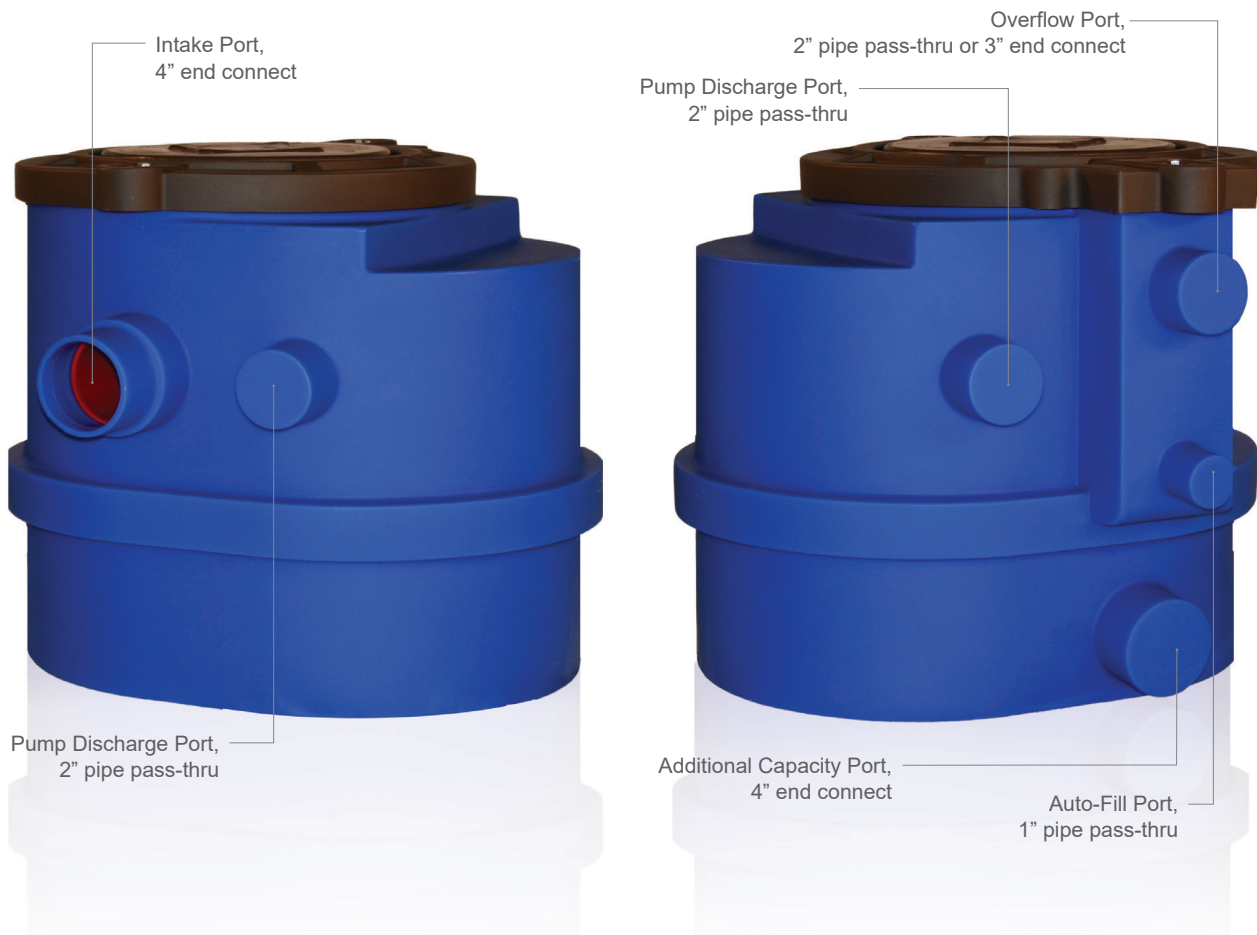


REMOTE PLACEMENT

The Filtrific® Filter Tank is designed to be placed away from the water feature, hidden from sight, so it doesn't spoil the waterscape.

T40F FILTER TANK | FILTER TANKS

Small in size, but big in performance, the T40F Filter Tank provides all the installation conveniences and advantages as the larger Filter Tanks, but in a more compact size. With flow capabilities up to 80 GPM (4,800 GPH) the T40F is the perfect fit for smaller projects and installations with limited space.



T40F FILTER TANK

MODEL: T40F

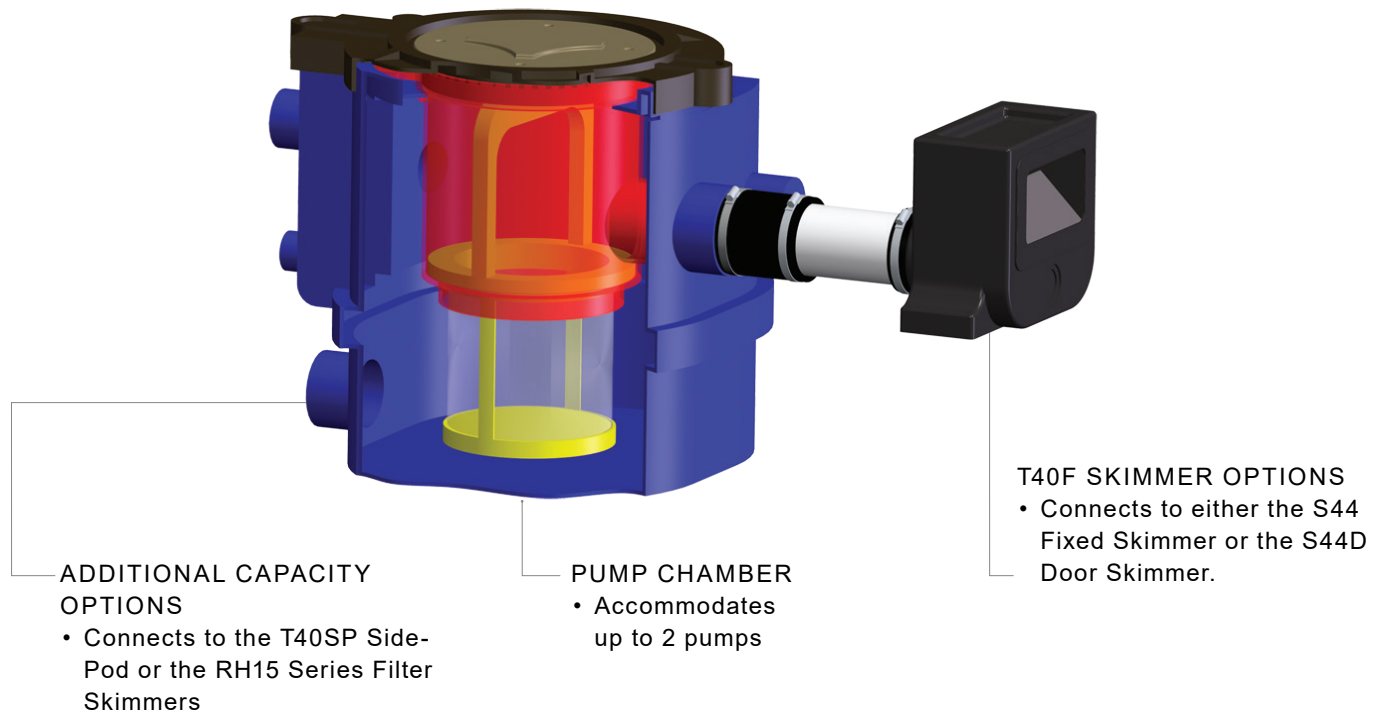
FEATURES:

- Weight: 40 lbs
- Dimensions: L: 29", W: 31.75", H: 24"
- A 4" intake port handles flow rates up to 80 GPM (4,800 GPH)
- Handles flow rates up to 160 GPM (9,600 GPH) when used with a RH15 series Filter Skimmer pg 34
- 40 gallon Filter Tank (provides 20 gallons of water-in-motion reserve @ 9" residual water depth)
- Can be placed away from the water feature
- Accepts interchangeable skimmers
- Large pumping chamber
- Bolt down integrated lid system
- Convenient 13" diameter filter access (Filter Basket purchased separately)
- Removable filter carriage
- Front & Back Discharge Ports for two pumps
- Side-Pod Additional Capacity Port for expandable water containment

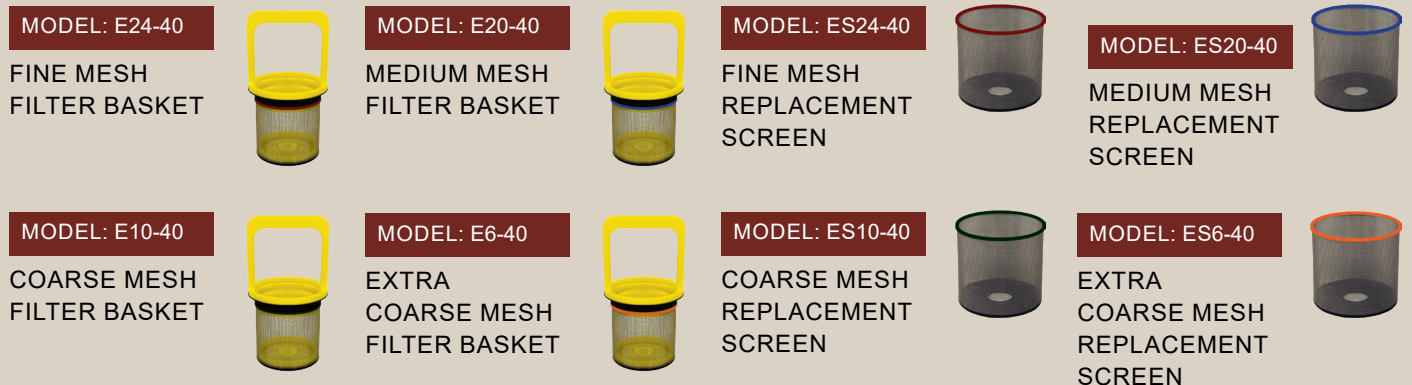
FILTER TANKS | T40F FILTER TANK

PUMP DISCHARGE & OVERFLOW KITS *sold separately*

Model	Kit Type	Pump Thread Connection	Exit Pipe Size	Port
DO1	Pump Discharge	1-1/2" & 2"	2"	Front or Back
F23	Overflow	-	2" or 3"	Back

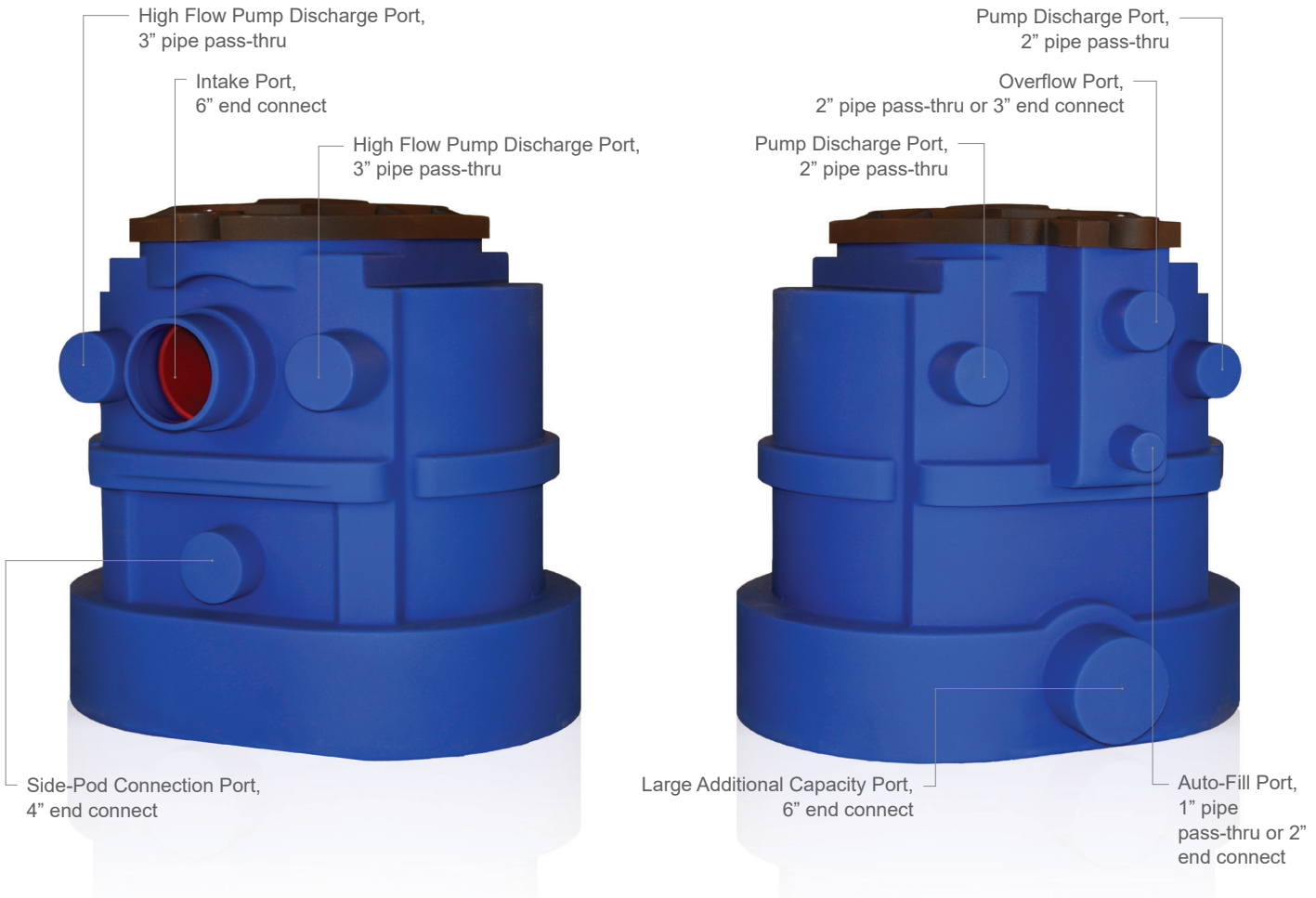


FILTER BASKETS AND REPLACEMENT SCREENS *sold separately*



T75F FILTER TANK | FILTER TANKS

Dual filtering and a spacious pumping chamber, which houses up to four pumps, makes the T75F Filter Tank a favorite for any water feature flowing up to 200 GPM (12,000 GPH). This strong, structurally engineered Filter Tank works easily with both concrete and rubber liner making it ideal in both residential and commercial installations.



T75F FILTER TANK

MODEL: T75F

FEATURES:

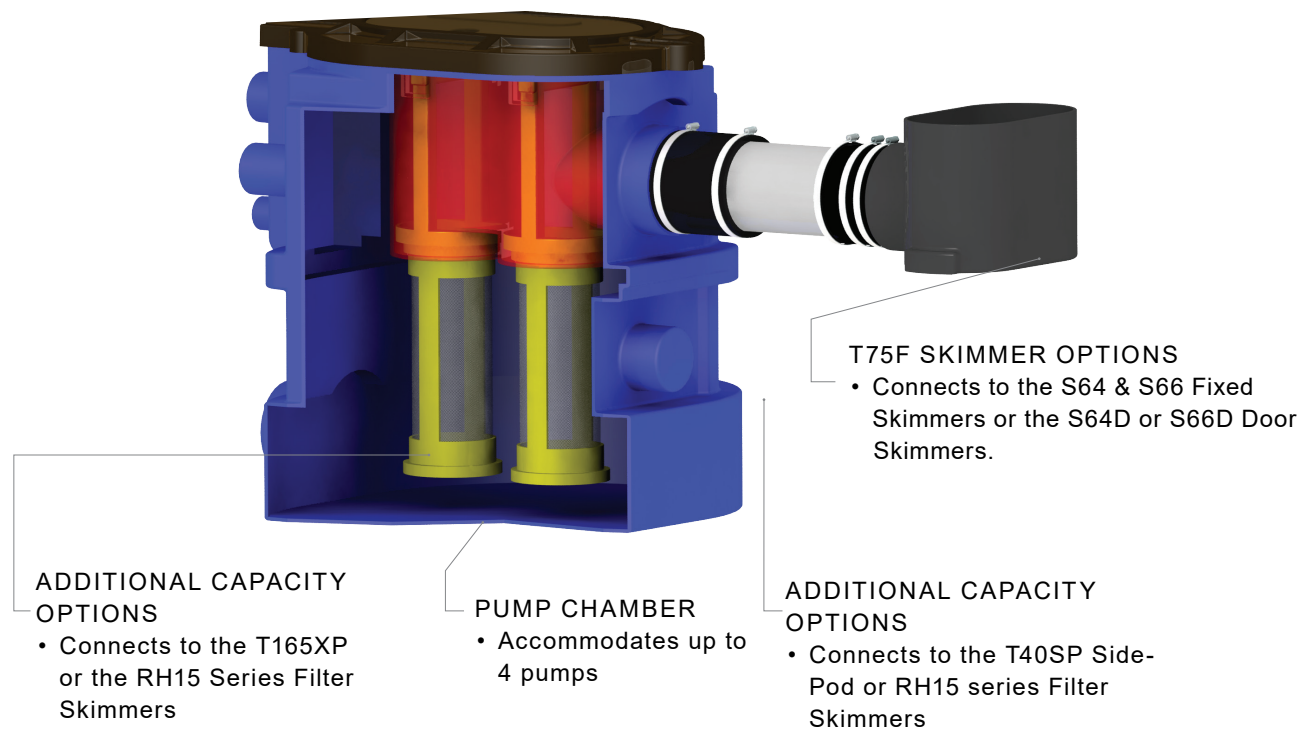
- Weight: 72 lbs
- Dimensions: L: 35", W: 36", H: 32"
- A 6" intake port handles flow rates up to 200 GPM (12,000 GPH)
- Handles flow rates up to 440 GPM (26,400 GPH) when used with RH15 series Filter Skimmers pg 34
- 75 gallon Filter Tank (provides 40 gallons of water-in-motion reserve @ 9" residual water depth)
- Can be placed away from the water feature
- Accepts interchangeable skimmers
- Large pumping chamber
- Bolt down integrated lid system
- Convenient filter access (Filter Basket purchased separately)
- Removable Filter Carriage
- Front & back discharge ports for up to four pumps
- Front and back additional capacity ports for expandable water containment

FILTER TANKS | T75F FILTER TANK








PUMP DISCHARGE AND OVERFLOW KITS *sold separately*

Model	Type of Kit	Pump Thread Connection	Exit Pipe Size	Port
D21Q	Pump Discharge	1-1/2", & 2"	2"	Front or Back
D24Q	Pump Discharge	2" & 3"	3"	Front
D25	Pump Discharge	3"	3"	Front
F23	Overflow	-	2" or 3"	Back

Restraining Bracket Included

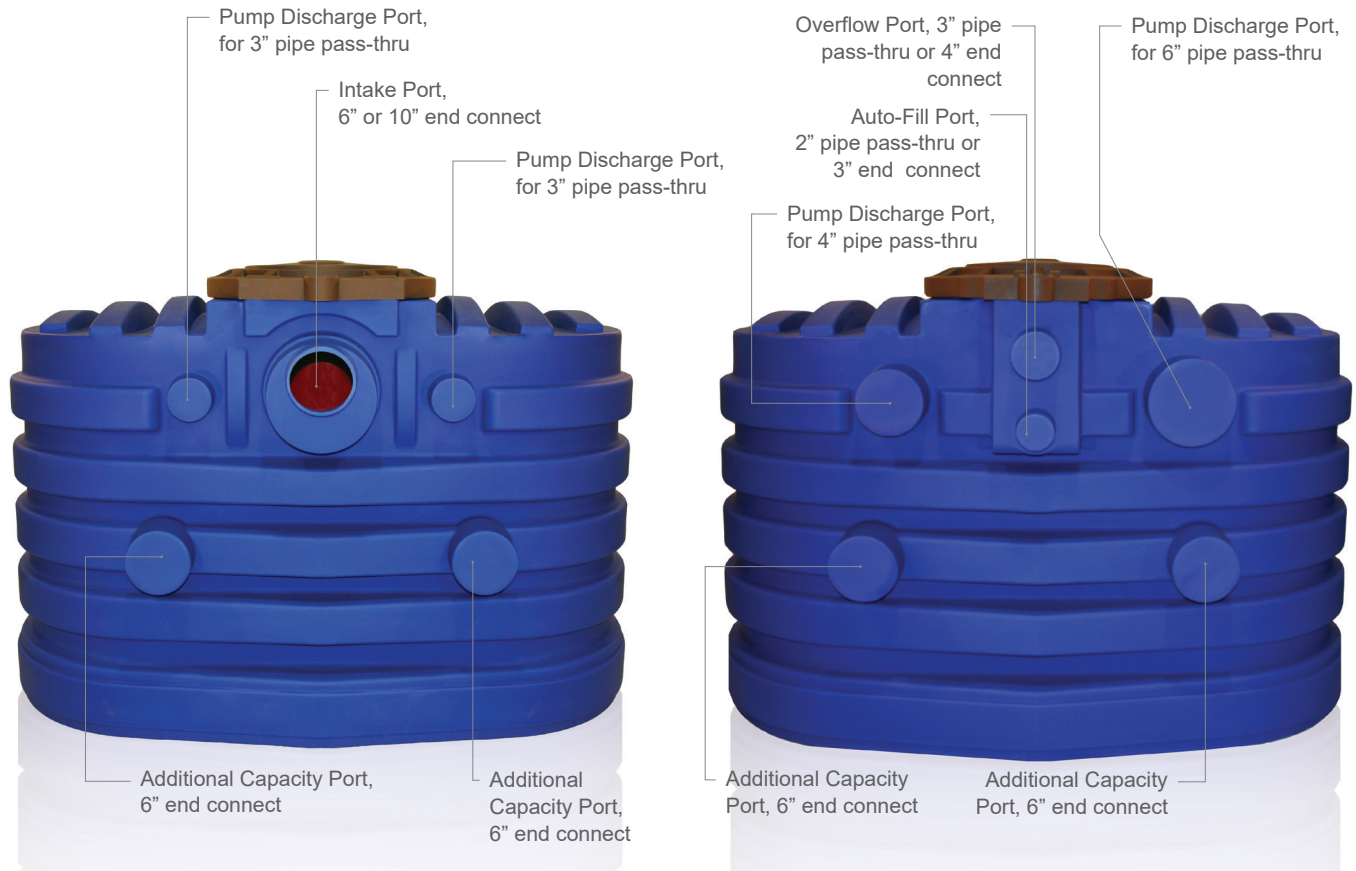


FILTER BASKETS AND REPLACEMENT SCREENS *sold separately*

<p>MODEL: E24-75</p> <p>FINE MESH FILTER BASKET</p> 	<p>MODEL: E20-75</p> <p>MEDIUM MESH FILTER BASKET</p> 	<p>MODEL: ES24-75</p> <p>FINE MESH REPLACEMENT SCREEN</p> 	<p>MODEL: ES20-75</p> <p>MEDIUM MESH REPLACEMENT SCREEN</p> 
<p>MODEL: E10-75</p> <p>COARSE MESH FILTER BASKET</p> 	<p>MODEL: E6-75</p> <p>EXTRA COARSE MESH FILTER BASKET</p> 	<p>MODEL: ES10-75</p> <p>COARSE MESH REPLACEMENT SCREEN</p> 	<p>MODEL: ES6-75</p> <p>EXTRA COARSE MESH REPLACEMENT SCREEN</p> 

T390F FILTER TANK | FILTER TANKS

With the ability to flow up to 700 GPM through two large filters, the Filtrific® T390F is the perfect solution for large, high-flowing water features. Innovative design elements such as a standard 6" intake port, which can be cut off to create a 10" intake port, allow for unlimited creativity when designing and building anything from landscape water features to architectural pools.



T390F FILTER TANK

MODEL: T390F

FEATURES:

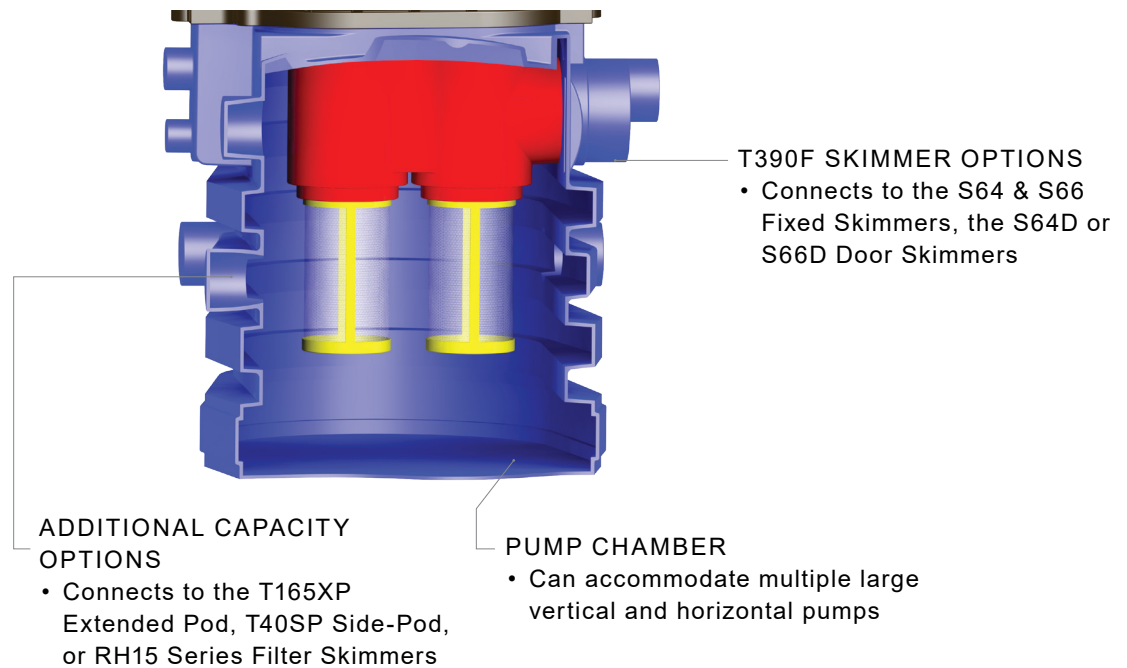
- Weight: 256 lbs
- Dimensions: L: 70", W: 51.5", H: 48"
- 6" / 10" combination intake port handles flow rates up to 700 GPM (42,000 GPH)
- Handles flow rates up to 1,340 GPM (80,400 GPH) when used with RH15 series Filter Skimmers pg 34
- 390 gallon Filter Tank (provides 270 gallons of water-in motion reserve @ 9" residual water depth)
- Can be placed away from the water feature
- Accepts interchangeable skimmers
- Large pumping chamber
- Bolt down integrated lid system
- Convenient filter access (Filter Baskets purchased separately)
- Removable Filter Carriage
- Front & back discharge ports for up to four pumps
- Front and back additional capacity ports for expandable water containment

FILTER TANKS | T390F FILTER TANK

PUMP DISCHARGE AND OVERFLOW KITS *sold separately*

Model	Type of Kit	Pump Thread Connection	Exit Pipe Size	Port
D31Q	Pump Discharge	1-1/2" & 2"	2"	Front
D34Q	Pump Discharge	2" & 3"	3"	Front
D35	Pump Discharge	3"	3"	Front
D36	Pump Discharge	4" *	4"	Back
D37	Pump Discharge	6" *	6"	Back
F34	Overflow	- *	3" or 4"	Back

Restraining Bracket Included



FILTER BASKETS AND REPLACEMENT SCREENS *sold separately.*

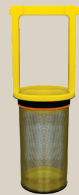
MODEL: E20-390
MEDIUM MESH
FILTER BASKET



MODEL: E10-390
COARSE MESH
FILTER BASKET



MODEL: E6-390
EXTRA COARSE
MESH
REPLACEMENT
SCREEN



MODEL: ES20-390
MEDIUM MESH
REPLACEMENT
SCREEN



MODEL: ES10-390
COARSE MESH
REPLACEMENT
SCREEN



MODEL: ES6-390
EXTRA
COARSE MESH
REPLACEMENT
SCREEN



FILTER BASKETS | FIXTURES & COMPONENTS

Surgical-grade stainless steel Filter Baskets separate debris from the water carried in through the skimmer. Interchangeable screen sizes provide customized filtering, to assure trouble free operation of pumps and related equipment. Finer mesh screens require more frequent cleaning than large mesh screens and are generally used with smaller pumping flows. Larger mesh screens are typically used with large flow installations.



FILTER GASKET

- The Filtrific® Filter Basket is fitted with a self-adjusting gasket to ensure that debris cannot bypass the filtration process

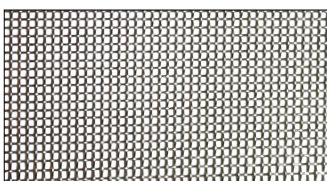


INTERCHANGEABLE SCREENS

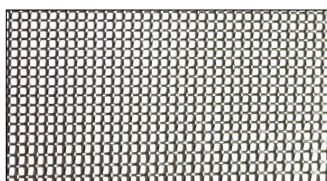
- Change to a finer or coarser screen by simply removing the retainer bracket on the bottom of the Filter Baskets

FOUR FILTER SCREEN SIZES AVAILABLE:

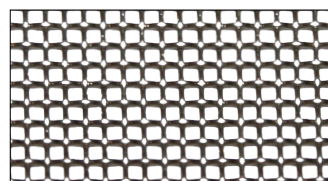
24 MESH:



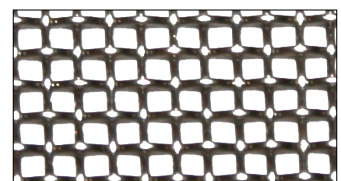
20 MESH:



10 MESH:



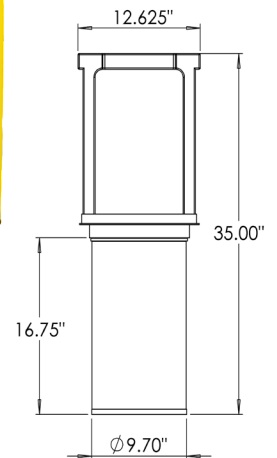
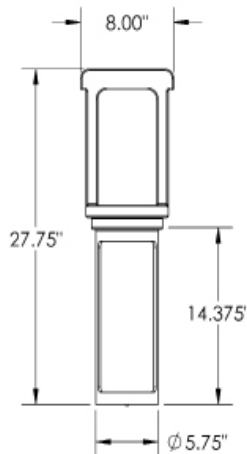
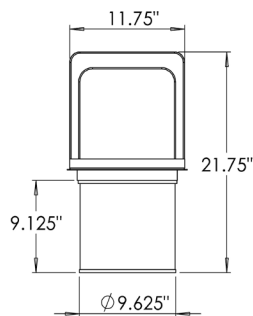
6 MESH:





EASY-TO-REMOVE FILTERS
Filtrific® Filter Tanks utilize a two piece lid, which makes the filters easily accessible; simply open the filter access cap and lift out the basket.

QUICK-CLEANING
Clean filters are essential in maintaining an efficient water feature. Routine maintenance is accomplished by occasionally emptying the Filter Baskets. If a large amount of debris has collected in the Filter Basket, simply remove the filter element and the compacted debris will fall out.



T40F FILTER BASKET

- 1 basket per T40F Filter Tank
- Provides 1.7 square feet of surface area

MODEL: E24-40

MODEL: E20-40

MODEL: E10-40

MODEL: E6-40

T75F FILTER BASKET

- 2 baskets per T75F Filter Tank
- Provides 1.7 square feet of surface area

MODEL: E24-75

MODEL: E20-75

MODEL: E10-75

MODEL: E6-75

T390F FILTER BASKET

- 2 baskets per T390F Filter Tank
- Provides 3.4 square feet of surface area

MODEL: E20-390

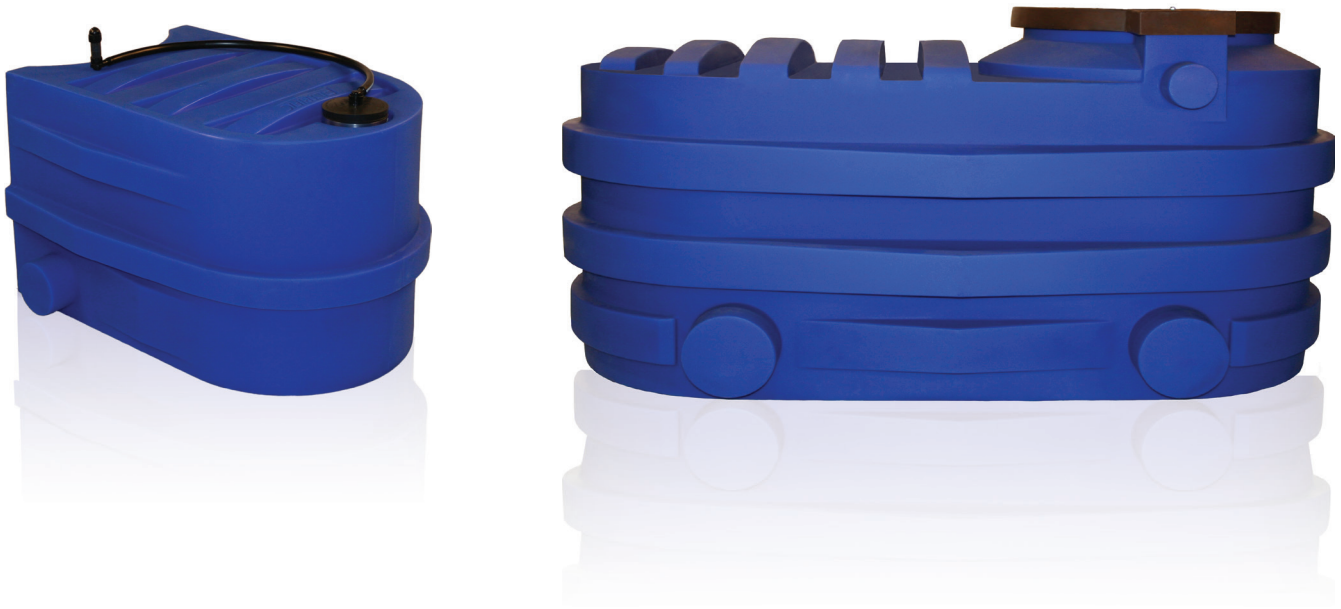
MODEL: E10-390

MODEL: E6-390



EXPANSION TANKS

Filtrific® Expansion Tanks connect with Filter Tanks to capture the water-in-motion when the pump is turned off. Expansion tanks are also used to expand the Filter Tank pump chamber where large pump rapid-cycling might be a concern.





SITE FLEXIBILITY

Place Filtrific® Expansion Tanks under walkways, lawn, between rock outcroppings or established plantings. Expansion tanks have been designed to conform to the site constraints often required in exceptional water feature designs.

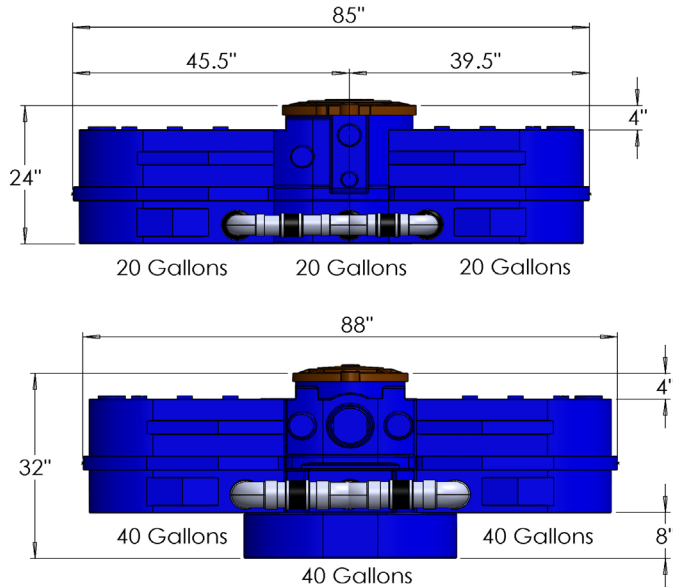


ADD MODULAR WATER CONTAINMENT AS NEEDED

Realizing that creativity is not always limited to the original design, Filtrific® Expansion Tanks allow the Filtrific® system to readily accept design changes at any time, either before or after the system is up and running. Expansion Tanks are ported on both the front and back-sides to accommodate numerous, on the spot, placement combinations including side-to-side, end-to-end, or remotely located as best suits the landscape.

COMBINATIONS

Place to the left or right of either T40F Filter Tank or T75F Filter Tank or as needed to best fit the landscape. The versatility of the T40SP Side-Pod Expansion Tank makes it easy to create the most efficient system regardless of space or circumstances.



COVER IT UP

- The top of the T40SP Side-Pod Expansion Tank rests 4" below ground level, allowing it to be placed beneath lawn, ground cover, and walkways

AIR VENT

- The Air Vent on the T40SP Side-Pod Expansion Tank allows water to flow quickly in and out of the tank



T40SP SIDE-POD

MODEL: T40SP

WEIGHT: 40 lbs

FEATURES:

- Side-nesting Expansion Tank connects to either side of the T40F or T75F Filter Tank
- Adds an additional 40 gallons of water-in-transit reserve when connected to the T75F Filter Tank
- Adds an additional 20 Gallons of water-in-transit when connected to the T40F filter Tank
- Only requires a two foot deep hole
- A 4" connection on both sides for connecting to a Filter Tank or additional Side-Pod Tanks
- Includes vented cap

CONNECTION PACKAGES FOR ADDING T40SP SIDE PODS TO T75F AND T40F FILTER TANKS:



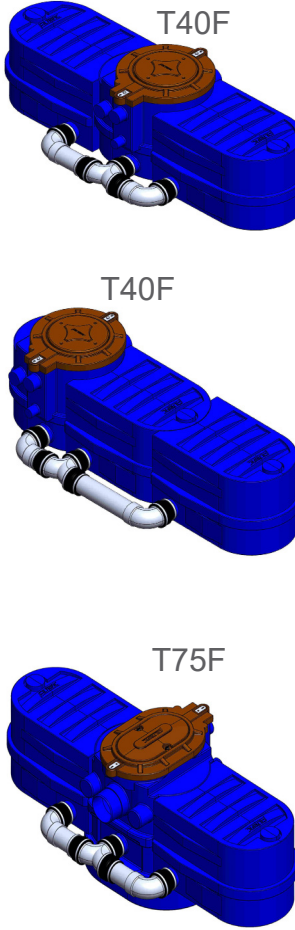
T40F

T75F

**T40SP SIDE-POD™
CONNECTION PACKAGE**

MODEL: RC-44LL

Included:
2 - 4" Flex-Collar 90
1 - 4" x 20" PVC Pipe

T40F

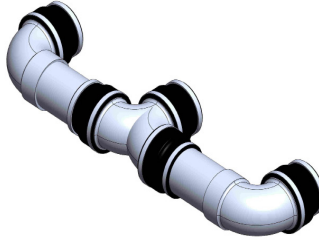
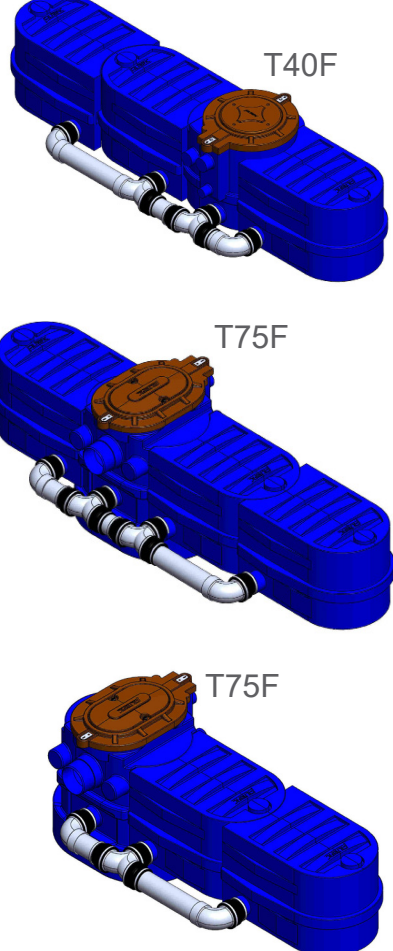
T40F

T75F

**T40SP SIDE-POD™
CONNECTION PACKAGE**

MODEL: RC-44LTL

Included:
1 - 4" Flex-Tee
2 - 4" Flex 90
1 - 4" x 32" PVC Pipe

T40F

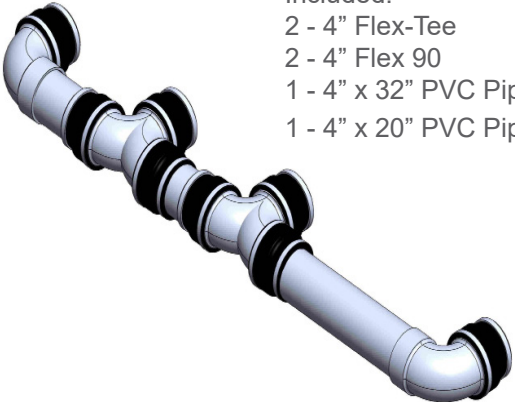
T75F

T75F

**T40SP SIDE-POD™
CONNECTION PACKAGE**

MODEL: RC-44LTTL

Included:
2 - 4" Flex-Tee
2 - 4" Flex 90
1 - 4" x 32" PVC Pipe
1 - 4" x 20" PVC Pipe



T165XP XTENDED-POD | EXPANSION TANKS

The rugged T165XP Xtended-Pod is designed to withstand the most rigorous construction demands encountered in large water feature installations. Strong horizontal reinforcing ribs interlock with the surrounding soil and securely hold the T165XP in place during backfill. The T165XP employs the use of four 6" ports, which easily connect to both the T75F and T390F Filter Tanks. The ports allow the T165XP to accommodate systems that require a higher flow as well as extra capacity.



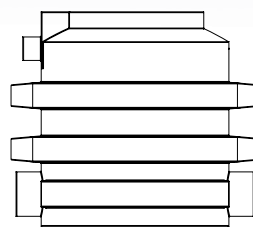
T165XP XTENDED-POD

MODEL: T165XP

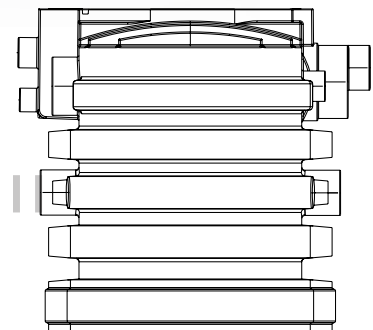
SIDE VIEW

FEATURES:

- Four 6" coupling ports for connection to Filter Tanks or additional Expansion Tanks
- One 3" vent port
- Adds an additional 140 gallons of water-in-motion reserves when connected to the T390F Filter Tank
- Adds an additional 95 gallons of water-in-motion reserve when connected to the T75F Filter Tank
- Reinforced poly-steel lid can be covered by the landscape
- Lid vented for pressure equalization to allow easy fill and pump down of stored water
- Includes coupling pipe & fittings
- Includes vent cap



T165XP



T390F



AMAZING STRENGTH

Filtrific® Expansion Tanks are manufactured to meet the demands of both residential and commercial installations. The reinforced top allows the tanks to accommodate placement under ground cover, lawn, walkways or beside driveways where occasional vehicular traffic might be encountered.

COMBINATIONS

With two 6" expansion ports on both the front and back sides, the T165XP Expansion Tank can be added in numerous combinations and quantities next to or away from the T75F or T390F Filter Tanks. The versatility of the T165XP Xtended-Pod Expansion Tank makes it easy to add additional expansion as needed. For additional dimensional information see page 101.

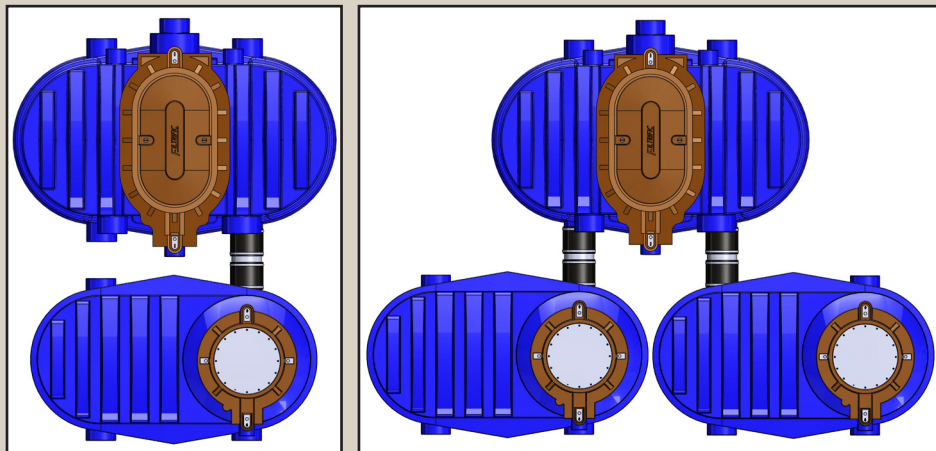


T390F Connection Fittings Included with T165XP

T390F
Filter Tank



T165XP
Expansion Tank



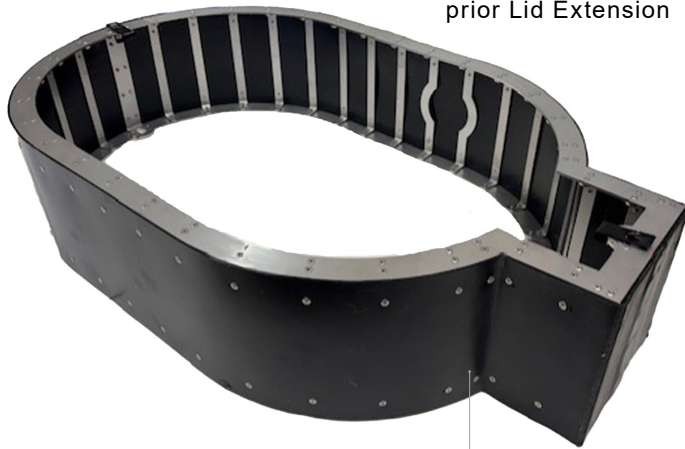
The Filtrific Lid Extensions provide an increased lid elevation to match the surrounding grade. Available in 6" increments, the Lid Extensions can be stacked to meet site grade requirements.

REINFORCED STAINLESS STEEL FRAME

- Strong design provides solid support for the lid at extended elevations

BOLTED WHEN STACKED

- Two end bolts join the Lid Extension to the Filter Tank or to the prior Lid Extension



DEBRIS SEAL

- Sealant tape is provided and when applied creates a debris-tight seal with the Filter Tank



SECURE & STACKABLE DESIGN

The lid Extension securely connects to the top of the filter tank. Sealant tape is included to create a debris-tight seal between the Filter Tank and the Lid Extension. Multiple Lid Extensions can be connected in order to match the surrounding grade.



6" LID EXTENSION 40

MODEL: XT6-40

- 6" Extension
- Stackable
- For use with the T40F Filter Tank

6" LID EXTENSION 75

MODEL: XT6-75

- 6" Extension
- Stackable
- For use with the T75F Filter Tank

6" LID EXTENSION 390

MODEL: XT6-390

- 6" Extension
- Stackable
- For use with the T390F Filter Tank

12" LID EXTENSION 40

MODEL: XT12-40

- 6" Extension
- Stackable
- For use with the T40F Filter Tank

12" LID EXTENSION 75

MODEL: XT12-75

- 6" Extension
- Stackable
- For use with the T75F Filter Tank

12" LID EXTENSION 390

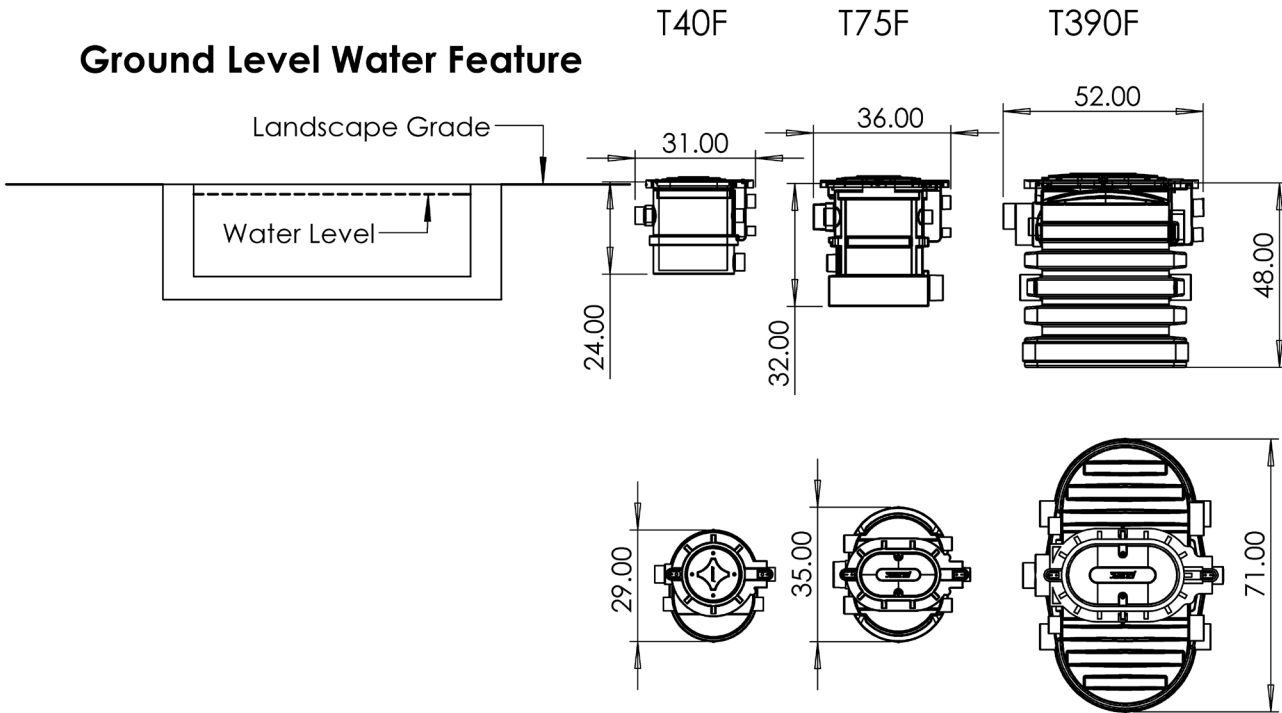
MODEL: XT12-390

- 6" Extension
- Stackable
- For use with the T390F Filter Tank

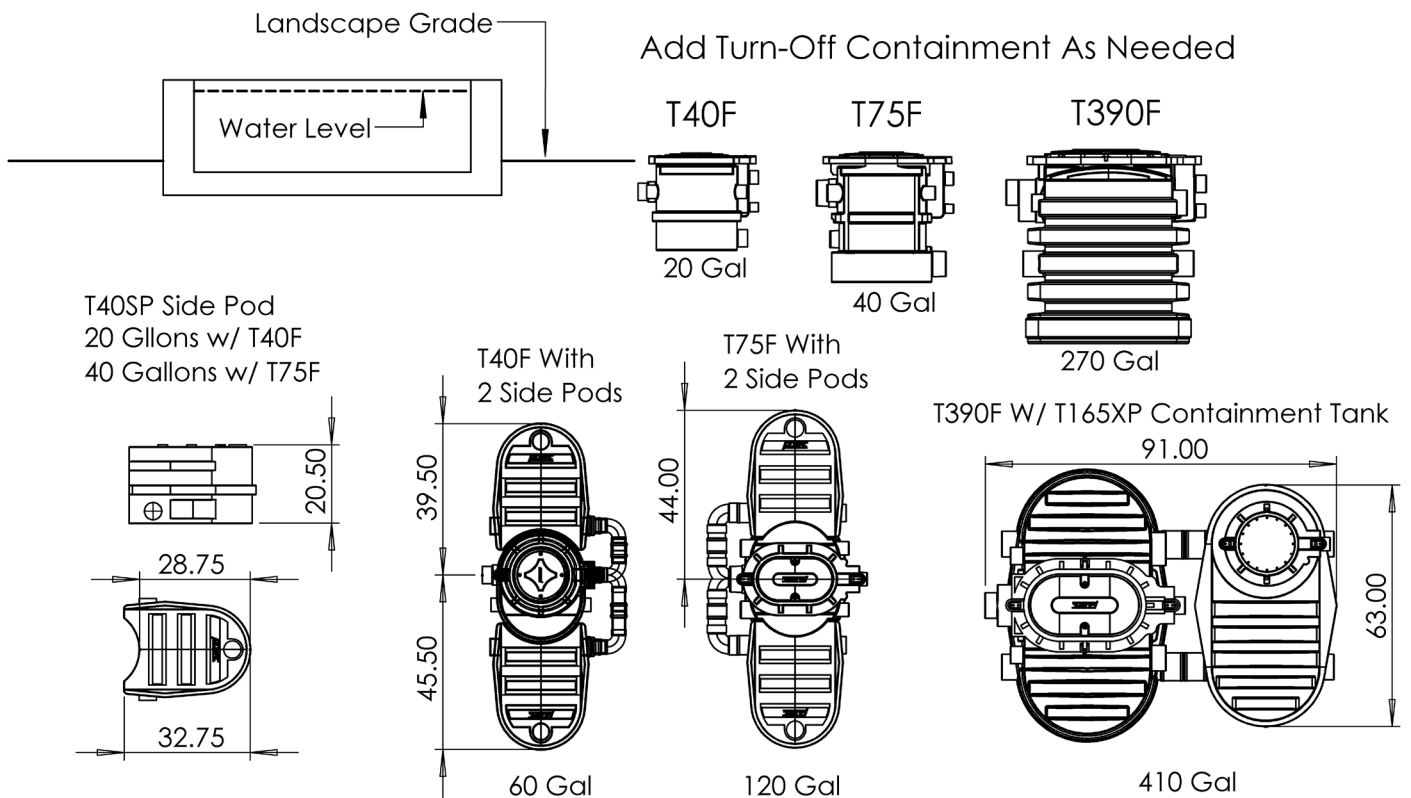


Ground Level and Elevated Water Features

Ground Level Water Feature



Elevated Water Feature

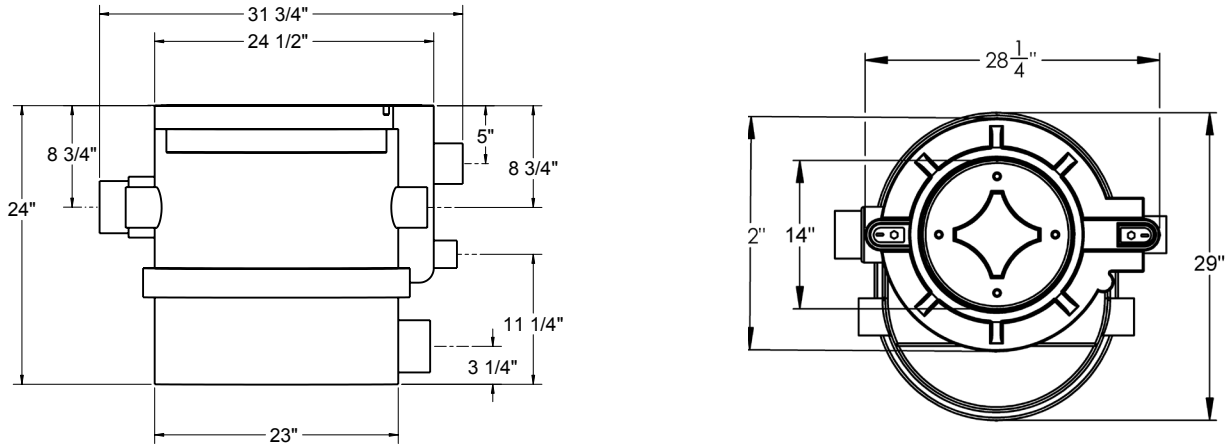


PRODUCT DIMENSIONS |

For downloadable versions in .dwg format please visit www.filtrific.com

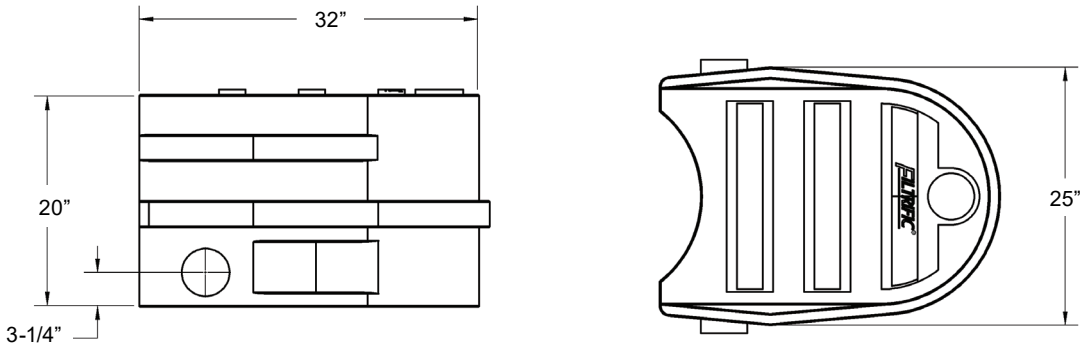
T40F FILTER TANK

PAGE: 10



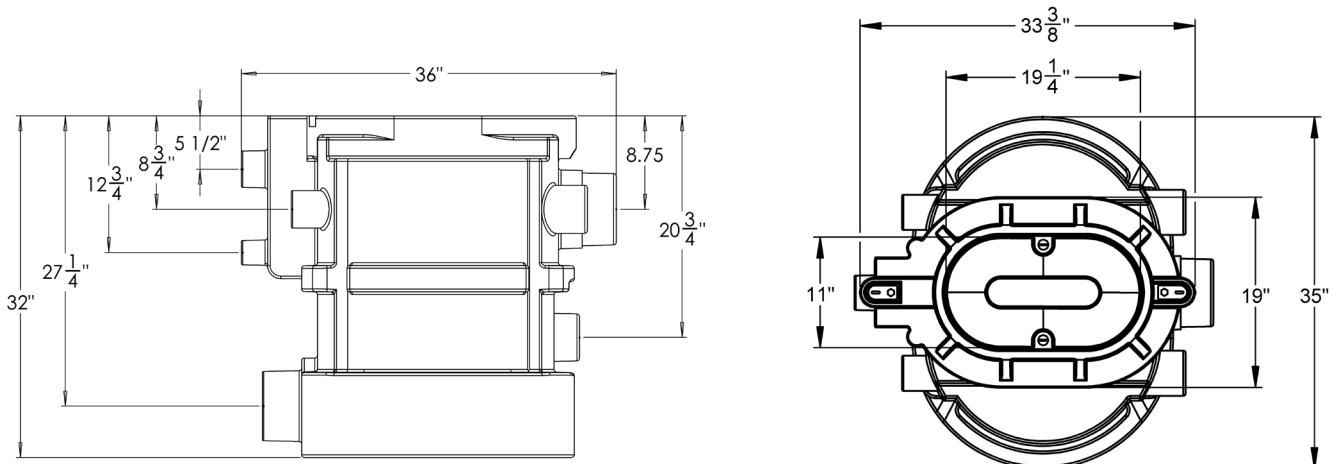
T40SP SIDE-POD

PAGE: 20



T75F FILTER TANK

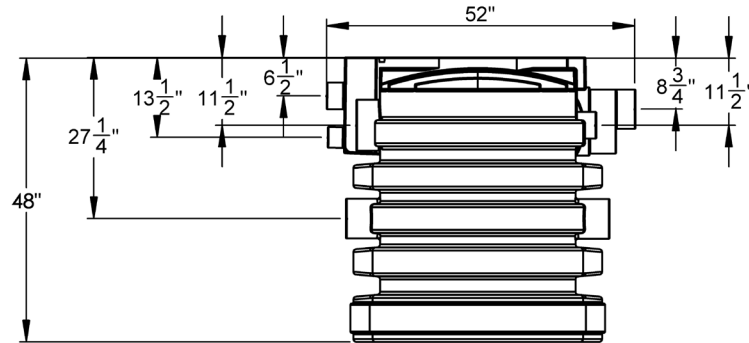
PAGE: 12



PRODUCT DIMENSIONS

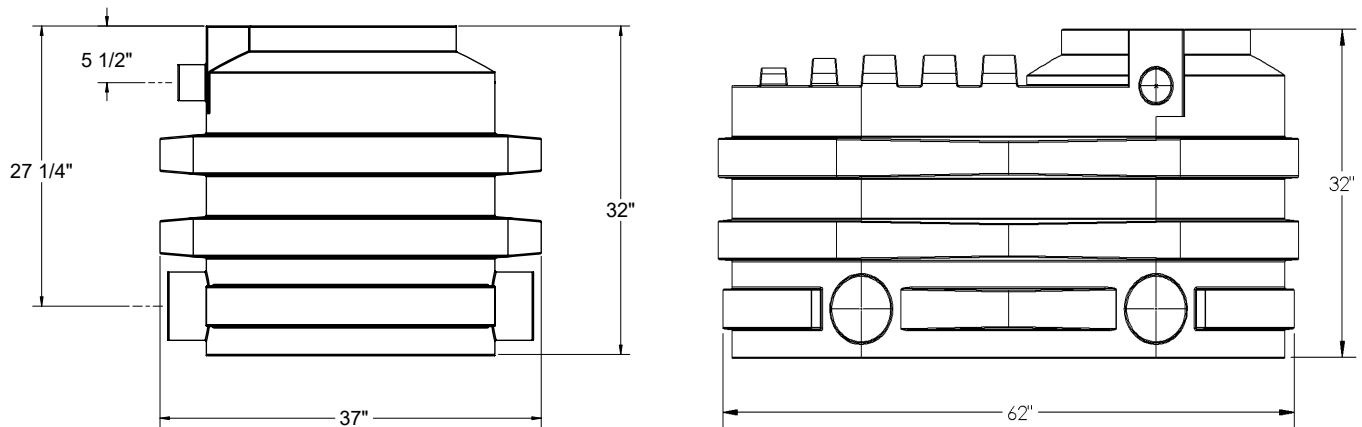
T390F FILTER TANK

PAGE: 14



T165XP EXPANSION TANK

PAGE: 22



VANISHING WATER | COMPONENT PACKAGES



COMPONENT PACKAGES for use with Vanishing Packs



CPX COMPONENT PACKAGE

For use with the T40F Filter Tank

GPM: 80

INCLUDES:

- 1 - 20 Mesh Filter Basket, E20-40
- 1 - Fixed Skimmer, S44
- 1 - Pump Discharge Kit, D01
(2" discharge for 1", 1-1/4" & 1-1/2" pump threads)
- 1 - Overflow Kit, F23-Q
(includes 2" x 2-1/2' pipe)
- 1 - Intake Pipe, 4" x 2-1/2'

MODEL: CPX



CP1 COMPONENT PACKAGE

For use with the T75F Filter Tank

GPM: 80

INCLUDES:

- 2 - 20 Mesh Filter Baskets, E20-75
- 1 - Fixed Skimmer, S64
- 1 - Pump Discharge Kit, D21-Q
(2" discharge for 1", 1-1/4", 1-1/2" & 2" pump threads)
- 1 - Overflow Kit, F23-Q
(includes 2" x 2-1/2' pipe)
- 1 - Intake Pipe, 4" x 2-1/2'

MODEL: CP1



CP2 COMPONENT PACKAGE

For use with the T75F Filter Tank

GPM: 200

INCLUDES:

- 2 - 10 Mesh Filter Baskets, E10-75
- 1 - Fixed Skimmer, S66
- 1 - Pump Discharge Kit, D24-Q
(3" discharge for 2" and 3" pump threads)
- 1 - Overflow Kit, F23-Q
(includes 2" x 2-1/2' pipe)
- 1 - Intake Pipe, 6" x 2-1/2'

MODEL: CP2



CP3A COMPONENT PACKAGE

For use with the T390F Filter Tank

GPM: 80

INCLUDES:

- 1 - 20 Mesh Filter Basket, E20-390
- 1 - 2nd Filter Plug, FCP-390
- 1 - Fixed Skimmer, S64
- 1 - Pump Discharge Kit, D31-Q
(2" discharge for 1", 1-1/4", 1-1/2" & 2" pump threads)
- 1 - Overflow Kit, F34-Q (includes 3" x 3' pipe)
- 1 - Intake Pipe, 4" x 3'

MODEL: CP3A



CP3B COMPONENT PACKAGE

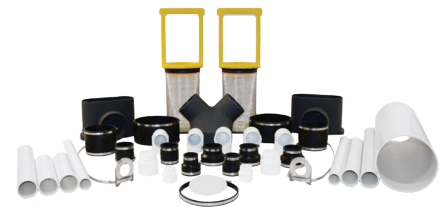
For use with the T390F Filter Tank

GPM: 200

INCLUDES:

- 2 - 10 Mesh Filter Baskets, E10-390
- 1 - Fixed Skimmer, S66
- 1 - Pump Discharge Kit, D34-Q
(3" discharge for 2", & 3" pump threads)
- 1 - Overflow Kit, F34-Q (includes 3" x 3' pipe)
- 1 - Intake Pipe, 6" x 3'

MODEL: CP3B



CP4 COMPONENT PACKAGE

For use with the T390F Filter Tank

GPM: 400

INCLUDES:

- 2 - 6 Mesh Filter Baskets, E6-390
- 1 - Dual Fixed Skimmer Assembly, S1066
- 2 - Pump Discharge Kit, D34-Q
(3" discharge for 2" & 3" pump threads)
- 1 - Overflow Kit, F34-Q (includes 3" x 3' pipe)
- 1 - Intake Pipe, 10" x 3'

MODEL: CP4



SECOND PUMP DISCHARGE KITS

D21-HPK DISCHARGE PACKAGE

For use with the T75F Filter Tank

INCLUDES:

- 1 - Pump Discharge Kit, D21-Q (2" discharge for 1", 1-1/4", 1-1/2" & 2" pump threads)
- 1 - 2" Spring Check Valve, CVSP-112
- 1 - Circulation Jet, JET-3

MODEL: D21-HPK



D31-HPK DISCHARGE PACKAGE

For use with the 390F Filter Tank

INCLUDES:

- 1 - Pump Discharge Kit, D31-Q (2" discharge for 1", 1-1/4", 1-1/2" & 2" pump threads)
- 1 - 2" Spring Check Valve, CVSP-112
- 1 - Circulation Jet, JET-3

MODEL: D31-HPK



Width of Waterfall (feet)	1/4" Water Depth Over Falls (GPM)	1/2" Water Depth Over Falls (GPM)	3/4" Water Depth Over Falls (GPM)	1" Water Depth Over Falls (GPM)	1-1/4" Water Depth Over Falls (GPM)	1-1/2" Water Depth Over Falls (GPM)	2" Water Depth Over Falls (GPM)
1 ft.	4 GPM	13 GPM	24 GPM	36 GPM	51 GPM	67 GPM	103 GPM
2	9	26	47	73	102	134	206
3	13	39	71	109	152	200	308
4	18	51	94	145	203	267	411
5	23	64	118	181	254	334	514
6	27	77	142	218	305	401	617
7	32	90	165	254	356	468	720
8	36	103	189	291	406	534	823
9	41	116	213	327	457	601	925
10	45	129	236	364	508	667	1028

For help sizing larger or customized systems, call (800) 906-0604

FIXED SKIMMERS | FIXTURES & COMPONENTS

Low profile Fixed Skimmers allow precise adjustment of the water level and are nearly invisible at the pool's edge. An eccentric coupling provides fine-tuning of the skimmer height to accommodate increased flows, and the clean, un-tapered skimmer design allows the skimming edge to be incrementally trimmed as needed. Fixed Skimmers are typically used in systems with underground water containment, such as Vanishing Water™ and Hybri-Pond™ systems.

ECCENTRIC FLEX-COUPLING

- Provides easy skimming height positioning and is included with each Fixed Skimmer

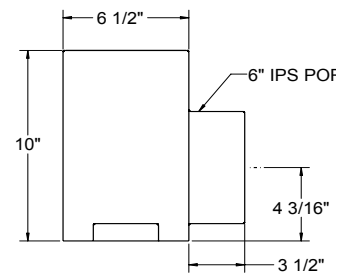
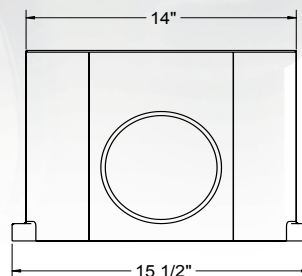
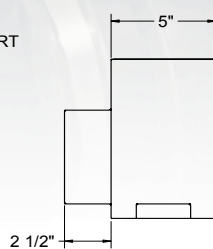
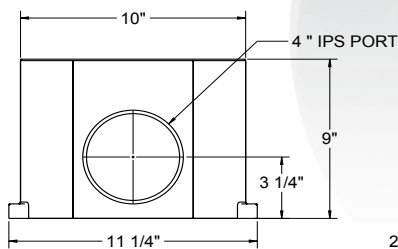
LOW PROFILE SKIMMING SURFACE

- Pulls water from all sides and is adjusted vertically with the eccentric flex-coupling



DRAIN PORT (BACK)

- Optional drain port allows for water to drain down when pump is shut off



The Fixed Skimmer allows for an optional vanishing pool at the end of the stream, giving the feature a more natural ending.



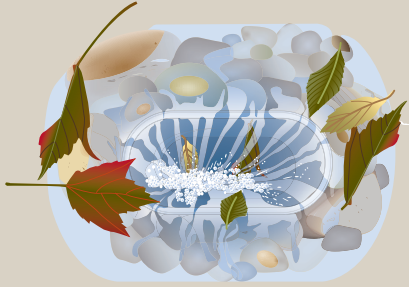
If the drain port is not opened, water will remain in the pool when the system is turned off (See Hybri-Pond™).



If the drain port is open, water vanishes below the rock line when the system is turned off.

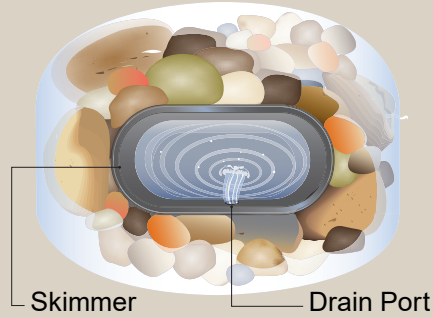
HOW THE FIXED SKIMMER WORKS IN A VANISHING WATER INSTALLATION **top view**

PUMP RUNNING



Water and debris flow into the skimmer, then down through the Filter Baskets where the debris is captured. Filtered water is then pumped up to the top of the stream.

PUMP OFF, DRAINING DOWN



Pooling water vanishes into the Filter Tank through a small opening in the face of the Fixed Skimmer.

PUMP OFF, DRAINING COMPLETE



All water completely vanishes and is now stored in the Filter Tank reservoir.



SMALL FIXED SKIMMER

MODEL: S44

• For use with T40F Filter Tank
GPM: 80

CONNECTION:

- 4" x 4" Filter Tank Coupling by 4" x 4" Eccentric Flex-Coupling

INCLUDED COMPONENTS:

- 1 - Small Fixed Skimmer
- 1 - 4" x 4" Flex-Coupling
- 1 - 4" x 4" Eccentric Flex-Coupling
- 1 - 4" Liner Connection Kit



SMALL FIXED SKIMMER

MODEL: S64

• For use with T75F & T390F Filter Tanks
GPM: 80

CONNECTION:

- 6" x 4" Filter Tank Coupling by 4" x 4" Eccentric Flex-Coupling

INCLUDED COMPONENTS:

- 1 - Small Fixed Skimmer
- 1 - 6" x 4" Flex-Coupling
- 1 - 4" x 4" Eccentric Flex-Coupling
- 1 - 4" Liner Connection Kit



LARGE FIXED SKIMMER

MODEL: S66

• For use with T75F & T390F Filter Tanks
GPM: 200

CONNECTION:

- 6" x 6" Filter Tank Coupling by 6" x 6" Eccentric Flex-Coupling

INCLUDED COMPONENTS:

- 1 - Large Fixed Skimmer
- 1 - 6" x 6" Flex-Coupling
- 1 - 6" x 6" Eccentric Flex-Coupling
- 1 - 6" Liner Connection Kit



DUAL SKIMMER FITTING

MODEL: Y1066

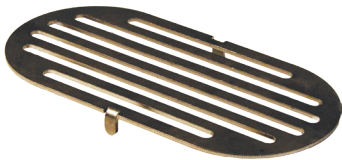
• For use with T390F Filter Tank, S66 & S66D Skimmers
GPM: 400

CONNECTION: 10" x 10" Filter Tank Coupling

INCLUDED COMPONENTS:

- 1 - Dual Fixed Skimmer Fitting
- 1 - 10" x 10" Flex-Coupling

Use the stainless steel Skimmer Grates to protect against aquatic inhabitants from being drawn into the Filter Baskets.



SMALL SKIMMER GRATE

MODEL: SG1

GPM: 60

- Fits over S44 & S64 Fixed Skimmers

LARGE SKIMMER GRATE

MODEL: SG2

GPM: 160

- Fits over S66 Fixed Skimmer



The grate allows protection for small aquatic fish and reptiles.

This multi-dimensional grate allows unrestricted, full flow aquatic protection.

SMALL SKIMMER GRATE

MODEL: SG1-HF

GPM: 80

Fits over S44 & S64 Fixed Skimmers

12" x 6-3/4" x 3-1/2"

LARGE SKIMMER GRATE

MODEL: SG2-HF

GPM: 200

Fits over S66 Fixed Skimmer
16-3/8" x 8-1/4" x 4-1/2"



SMALL SKIMMER FRAME

MODEL: SF1

GPM: 80

- Fits over S44 & S64 Fixed Skimmers

LARGE SKIMMER FRAME

MODEL: SF2

GPM: 200

- Fits over S66 Fixed Skimmer

SMALL SKIMMER FRAME GRATE

MODEL: SFG-1

GPM: 60

- Fits over S44 & S64 Fixed Skimmers

LARGE SKIMMER FRAME GRATE

MODEL: SFG-2

GPM: 160

- Fits over S66 Fixed Skimmer



The 1/8' stainless steel frame provides heavy duty support for large rock placement above the skimmer opening. An add on skimmer grate provides easy front addition in times of aquatic protection concerns.



SMALL SKIMMER HOOD

MODEL: SH1

GPM: 80

- Fits over S44 & S64 Fixed Skimmers

LARGE SKIMMER HOOD

MODEL: SH2

GPM: 160

- Fits over S66 Fixed Skimmer



A recessed top supports large or small rock overlays and two front and back skimming windows handle large leaves and debris.

POND | COMPONENT PACKAGES



COMPONENT PACKAGES for use with Pond Packs



CPY COMPONENT PACKAGE

• For use with the T40F Filter Tank
GPM: 80 (Suggested 65)

INCLUDES:

- 1 - 10 Mesh Filter Basket, E10-40
- 1 - Door Skimmer, S44D
- 1 - Pump Discharge Kit, D01
(2" discharge for 1", 1-1/4", & 1-1/2" pump threads)
- 1 - Overflow Kit, F23-Q
(includes 2" x 2-1/2' pipe)
- 1 - Intake Pipe, 4" x 2-1/2'

MODEL: CPY



CP5 COMPONENT PACKAGE

• For use with the T75F Filter Tank
GPM: 80

INCLUDES:

- 2 - 10 Mesh Filter Baskets, E10-75
- 1 - Door Skimmer, S64D
- 1 - Pump Discharge Kit, D21-Q
(2" discharge for 1", 1-1/4", 1-1/2" & 2" pump threads)
- 1 - Overflow Kit, F23-Q
(includes 2" x 2-1/2' pipe)
- 1 - Intake Pipe, 4" x 2-1/2'

MODEL: CP5



CP6 COMPONENT PACKAGE

• For use with the T75F Filter Tank
GPM: 160

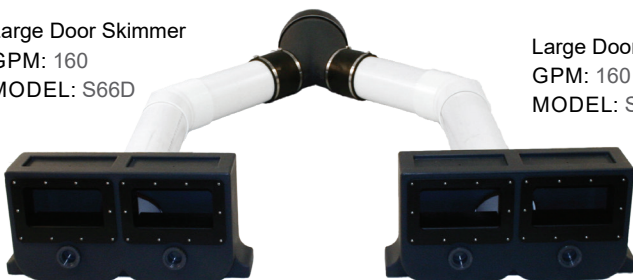
INCLUDES:

- 2 - 10 Mesh Filter Baskets, E10-75
- 1 - Door Skimmer, S66D
- 1 - Pump Discharge Kit, D24-Q
(3" discharge for 2" and 3" pump threads)
- 1 - Overflow Kit, F23-Q
(includes 2" x 2-1/2' pipe)
- 1 - Intake Pipe, 6" x 2-1/2'

MODEL: CP6

In very large natural pond applications, two S66D Door Skimmers can connect to the 10" intake port on the T390F Filter Tank.

Large Door Skimmer
GPM: 160
MODEL: S66D



Large Door Skimmer
GPM: 160
MODEL: S66D

Dual Skimmer Fitting
MODEL: Y1066



| WATERFALL FLOW

Width of Waterfall (feet)	1/4" Water Depth Over Falls (GPM)	1/2" Water Depth Over Falls (GPM)	3/4" Water Depth Over Falls (GPM)	1" Water Depth Over Falls (GPM)	1-1/4" Water Depth Over Falls (GPM)	1-1/2" Water Depth Over Falls (GPM)	2" Water Depth Over Falls (GPM)
1 ft.	4 GPM	13 GPM	24 GPM	36 GPM	51 GPM	67 GPM	103 GPM
2	9	26	47	73	102	134	206
3	13	39	71	109	152	200	308
4	18	51	94	145	203	267	411
5	23	64	118	181	254	334	514
6	27	77	142	218	305	401	617
7	32	90	165	254	356	468	720
8	36	103	189	291	406	534	823
9	41	116	213	327	457	601	925
10	45	129	236	364	508	667	1028

For help sizing larger or customized systems, call (800) 906-0604



The Door Skimmer Rests inside the liner and is designed to disappear into the ponds edge. The skimmer door self-adjusts to fluctuating water levels. floating debris in the pond is swept through the skimmer door and into the Filter Basket(s) inside the filter Tank.

ROCK POCKET

- Helps hold rock and other natural elements in place

SELF-ADJUSTING 8" SKIMMER DOOR

- Accommodates fluctuating water levels and pumping volumes

REMOVABLE DOOR SKIMMER GRATE

- Provides easy front addition for aquatic protection.



DOOR SKIMMER GRATE

MODEL: SDG-4

- For use with S44D, S64D & S66D Skimmers. (2)Required with S66D Door Skimmer.

GPM: 60

MODEL: SDG-6

- For use with S66D Door Skimmer.

GPM: 120

ROCK FINIS

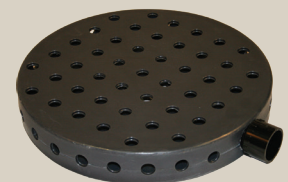
- Hold the skimmer firmly in place

BOTTOM-DRAW DISC PORT

- 1-1/2" pipe threads connect the pipe from the Bottom-Draw Disc to the Door Skimmer creating a simple connection

BOTTOM DRAW DISC

The Bottom-Draw Disc connects directly to the S44D, S64D or S66D and removes small organic debris with a maximum flow rate of 15 GPM. Often used with small water features, the Bottom-Draw Disc is easy to install and does not require a second liner penetration. See Page 36 for additional information.



BOTTOM-DRAW DISC

MODEL: CD1

See page 44



SMALL DOOR SKIMMER

MODEL: S44D

• For use with T40F Filter Tank
GPM: 80
CONNECTION: 4" x 4" Filter Tank Coupling by 4" x 4" Eccentric Flex-Coupling

INCLUDED COMPONENTS:

- 1 - Small Door Skimmer
- 1 - 4" Flex-Coupling
- 1 - 4" Eccentric Flex-Coupling
- 1 - 4" Liner Connection Kit

SMALL DOOR SKIMMER

MODEL: S64D

• For use with T75F & T390F Filter Tanks
GPM: 80
CONNECTION: 6" x 4" Filter Tank Coupling by 4" x 4" Eccentric Flex-Coupling

INCLUDED COMPONENTS:

- 1 - Small Door Skimmer
- 1 - 6" x 4" Flex-Coupling
- 1 - 4" Eccentric Flex-Coupling
- 1 - 4" Liner Connection Kit

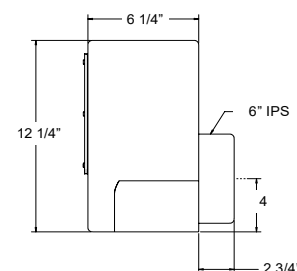
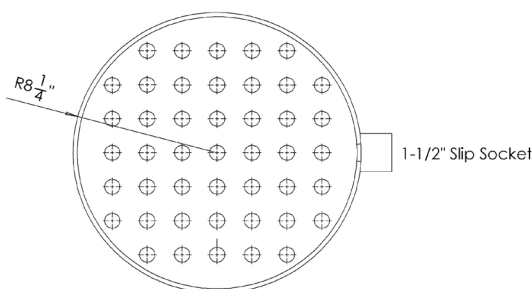
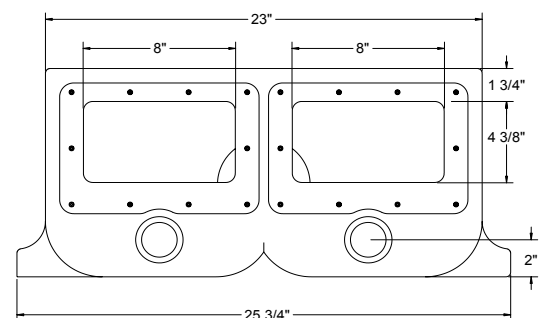
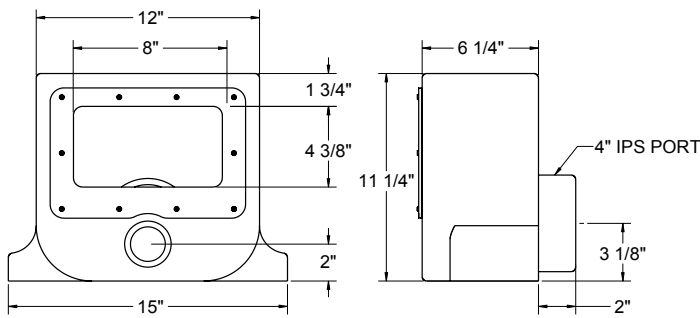
LARGE DOOR SKIMMER

MODEL: S66D

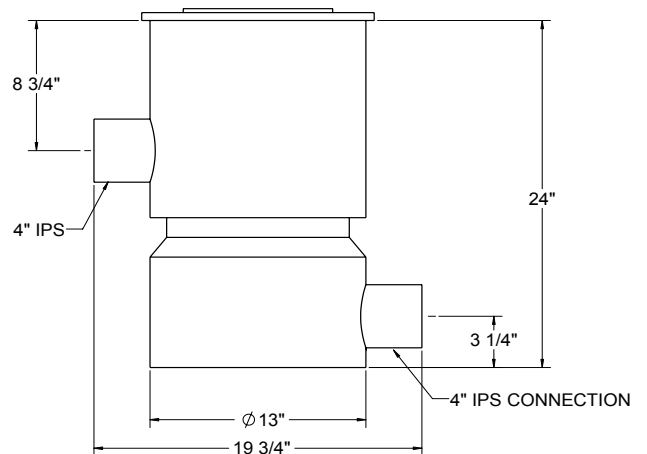
• For use with T75F & T390F Filter Tanks
GPM: 160
CONNECTION: 6" x 6" Filter Tank Coupling by 6" x 6" Eccentric Flex-Coupling

INCLUDED COMPONENTS:

- 1 - Large Door Skimmer
- 1 - 6" x 6" Flex-Coupling
- 1 - 6" Eccentric Flex-Coupling
- 1 - 6" Liner Connection Kit



Increase the Filter Tank flow-capacity by utilizing the “more capacity” port(s) on the Filter Tanks to connect additional filtered water. Depending on the Filter Skimmer selected, additional skimming can occur at the bottom of the pond or on the surface.



Filter Basket sold separately

REMOTE PLACEMENT

- The Filter Housing can easily be set away from the water feature using a 4" pipe extension

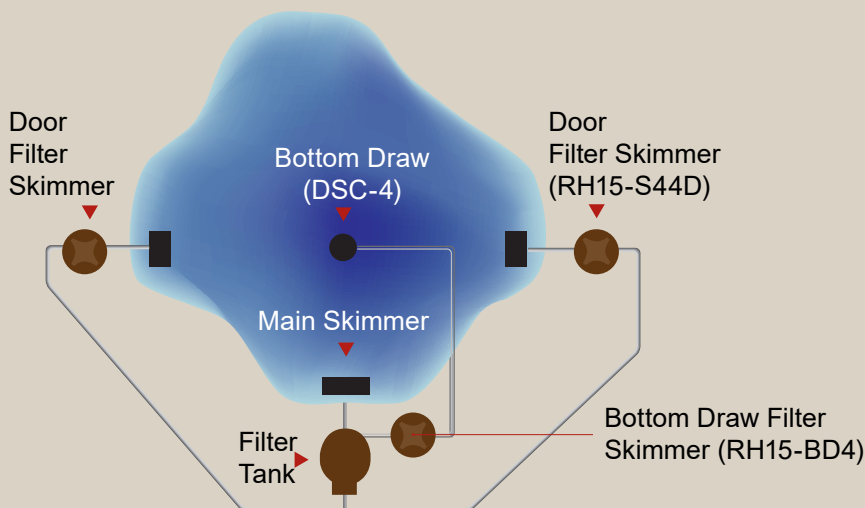
FILTER TANK CONNECTION

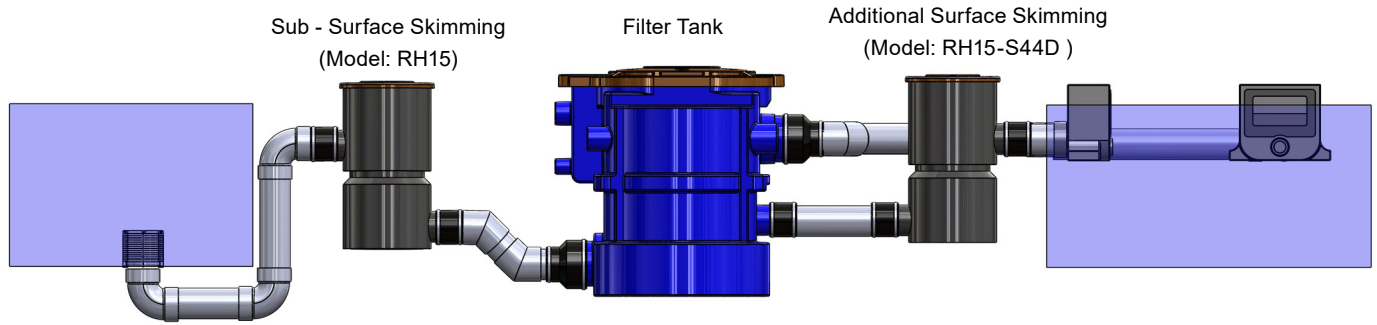
- Connects to the “more capacity” port on a Filter Tank

LARGE WATER FEATURE SCHEMATIC

Top View

Utilize the bottom port(s) on the Filter Tank to provide additional filtered water flow to the pump chamber. In the diagram to the left, water flows into the Filter Tank through the main skimmer port, two Remote Filter Skimmers and, a Bottom Draw Filter Skimmer.





FILTER-SKIMMER ONLY

MODEL: RH15

- Add additional skimming and flow capacity to the Filter Tank

GPM: 80

CONNECTION: 4"

INCLUDED COMPONENTS:

- 1 - Filter Housing
- 2 - 4 x 4 Flex-Coupling
- 1 - 4 x 24" Intake Pipe
- 1 - 4" Liner Connection Kit



DOOR FILTER-SKIMMER

MODEL: RH15-S44D

- Self adjusting surface skimming
- Add additional skimming and flow capacity to the Filter Tank

GPM: 80

CONNECTION: 4"

INCLUDED COMPONENTS:

- 1 - Filter Housing
- 2 - 4 x 4 Flex-Coupling
- 1 - 4 x 24" Intake Pipe
- 1 - 4" Liner Connection Kit
- 1 - 80 GPM Door Skimmer

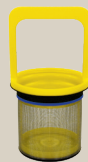
FILTER BASKETS AND REPLACEMENT SCREENS *sold separately.*

Use the same mesh size in both the Filter Skimmer and the Filter Tank.

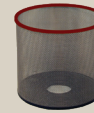
MODEL: E24-40
FINE MESH
FILTER BASKET



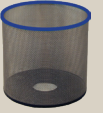
MODEL: E20-40
MEDIUM MESH
FILTER BASKET



MODEL: ES24-40
FINE MESH
REPLACEMENT
SCREEN



MODEL: ES20-40
MEDIUM MESH
REPLACEMENT
SCREEN



MODEL: E10-40
COARSE MESH
FILTER BASKET



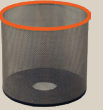
MODEL: E6-40
EXTRA
COARSE MESH
FILTER BASKET



MODEL: ES10-40
COARSE MESH
REPLACEMENT
SCREEN



MODEL: ES6-40
EXTRA
COARSE MESH
REPLACEMENT
SCREEN



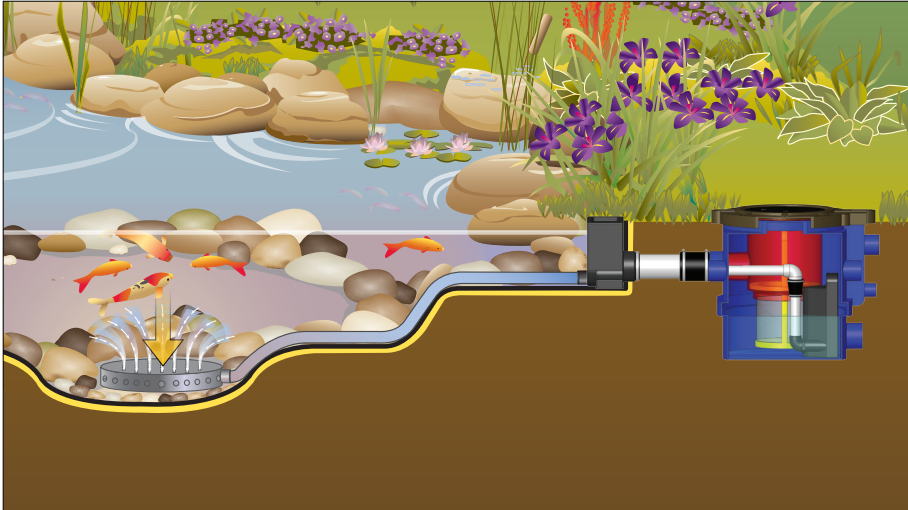
Both Bottom-Draw Disc and Circulator Jet mix water at the bottom of the pond and replace stagnant water with healthy, oxygenated water.

LARGE DIAMETER DISC

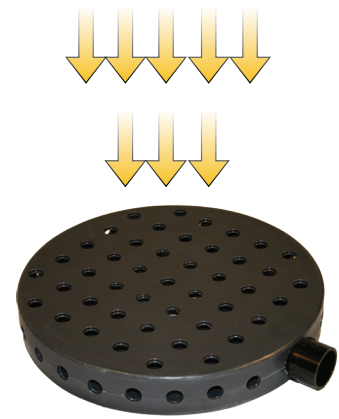
- Allows rock placements over the top and sides

PIPE CONNECTION

- Connects to 1-1/2" pipe from Door Skimmer



The gravity fed Bottom-Draw Disc connects to the threaded port on the Door Skimmer. This eliminates having to make a second liner penetration.

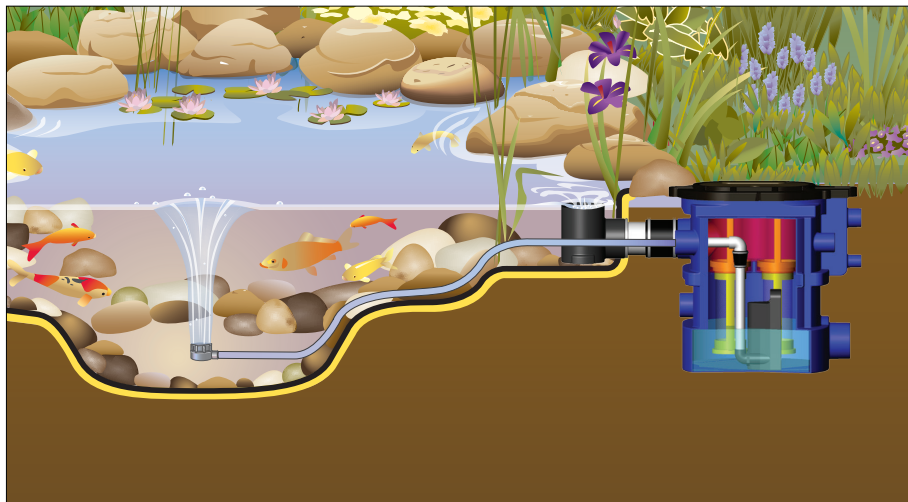


BOTTOM-DRAW DISC

MODEL: CD1

MAX GPM: 15

CONNECTION: 1-1/2"



JETTING ACTION

- Place the Jets at the pond bottom and let the water boil to the surface

EFFICIENT CIRCULATION

- For optimum efficiency, place the jet on a pump of its own to maintain constant water circulation when the larger waterfall pump is turned off.

CIRCULATION JET CONNECTION

The Circulation Jet is easily connected using 1" flex-pipe and can simply be run over the top of the liner or tucked beneath a rock out-cropping.



CIRCULATION JET

MODEL: JET-3

MAX GPM: 20

CONNECTION: 1" fipt pipe thread

NOTE: Use with a spring check valve to prevent water from siphoning back into the filter tank if the circulation pump is turned off.

These full flow intake strainers provide full flow bottom draw intake for natural water features.

INTAKE STRAINER

MATERIAL: 304 stainless steel

MODEL: DSC-4

MAX GPM: 80

CONNECTION: Fits over 4" IPS pipe

DIMENSIONS: 5.5" L x 6" W

LINER CONNECTION KIT
FOR 4" PIPE:

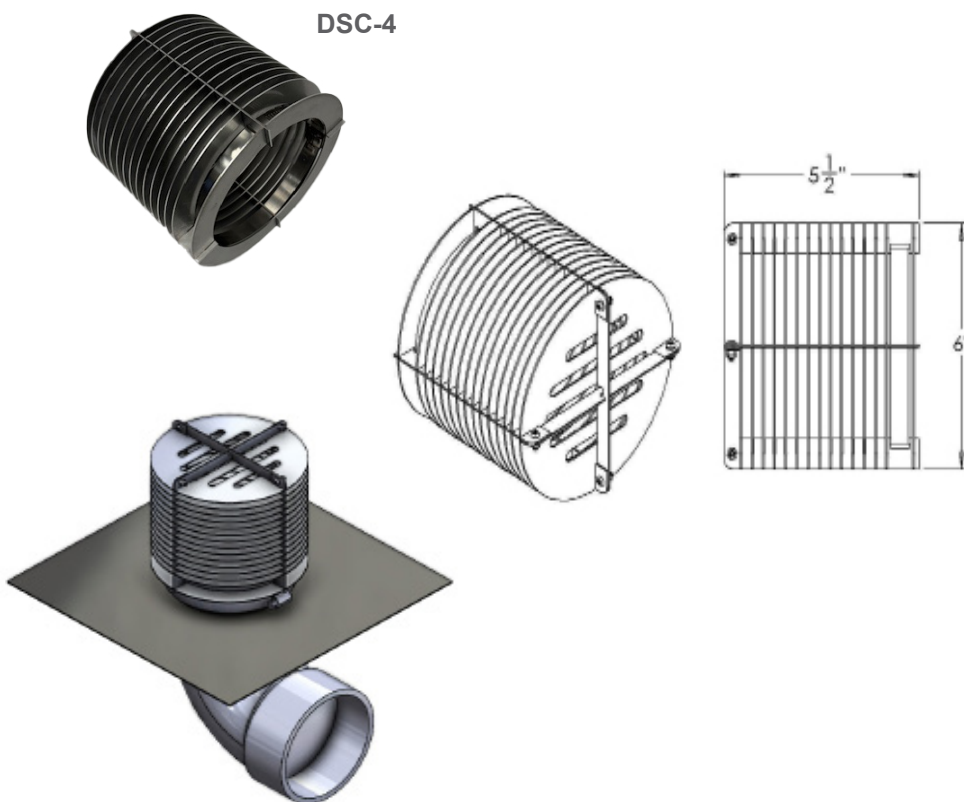
MODEL: RC4

LINER CONNECTION KIT
FOR 3" PIPE:

MODEL: RC3

LINER CONNECTION KIT
FOR 2" PIPE:

MODEL: RC2

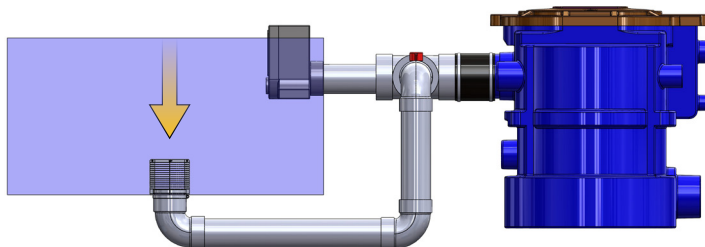


TRACING DISC

- Assures the correct diameter cutout

LINER CONNECTION CLAMP

- Provides a tight, uniform clamping pressure over the stretched liner



QUICK. SIMPLE. SECURE.

Follow the steps below for an easy and efficient connection to rubber liner.



1. TRACE

Run a pipe from the Filter Tank to the rubber liner. Use the tracing disc to draw a circle on the liner at the center point of the pipe.



2. CUT

With scissors, cut out the traced circle from the liner.



3. STRETCH

Stretch the liner over the pipe; this creates a tight bond around the pipe.



4. CLAMP

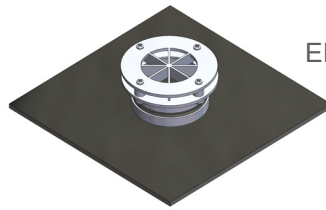
Slip the rubber lined stainless steel clamp over the liner and tighten.

CIRCULATION | RUBBER LINED WATER FEATURES

Circulators provide sub-surface water movement and circulation for aeration and uniform exposure to UV-Clarifiers and Chlorinators.

"R" SERIES CIRCULATORS

MATERIAL: COMPOSITE
COLOR: GREY, BLACK, WHITE



EPDM Rubber Liner

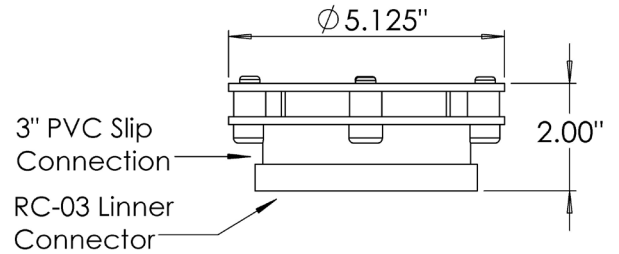
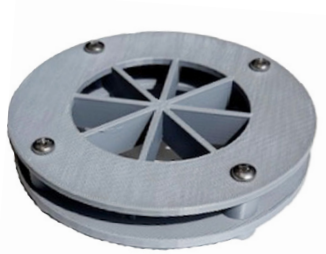
BOTTOM DRAW CIRCULATOR

MAX GPM: 50

MODEL: RBD-03-G Color: Grey

MODEL: RBD-03-B Color: Black

MODEL: RBD-03-W Color: White



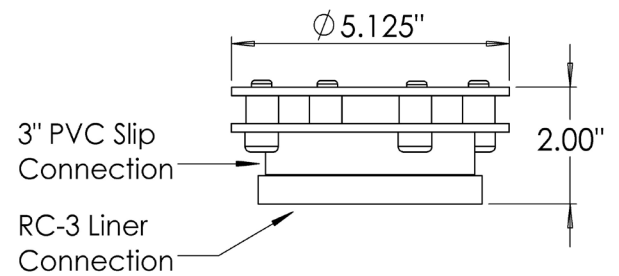
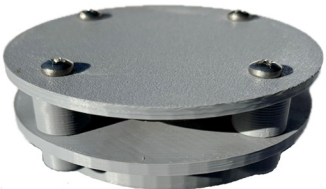
LATERAL CIRCULATOR

MAX GPM: 80

MODEL: RLC-03-G Color: Grey

MODEL: RLC-03-B Color: Black

MODEL: RLC-03-W Color: White



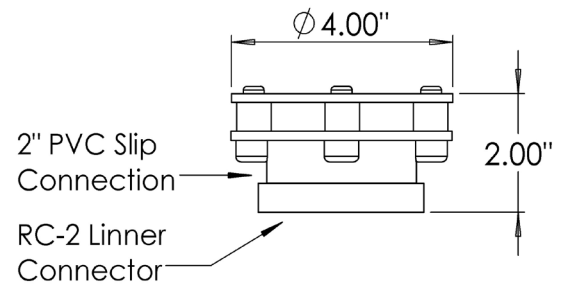
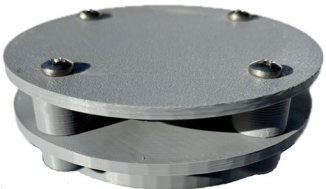
LATERAL CIRCULATOR

MAXIMUM GPM: 40

MODEL: RLC-02-G Color: Grey

MODEL: RLC-02-B Color: Black

MODEL: RLC-02-W Color: White



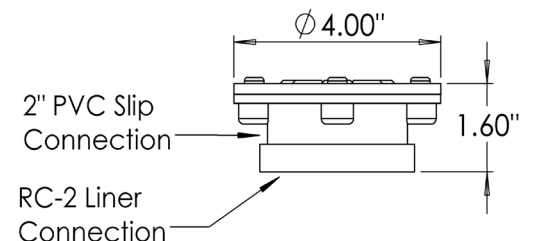
UP-FLOW CIRCULATOR

MAX GPM: 40

MODEL: RVC-02-G Color: Grey

MODEL: RVC-02-B Color: Black

MODEL: RVC-02-W Color: White



UV light is a popular and effective way of turning green water to clear water. Filtrific's® Integrated Port™ and Pass Thru™ technology allows the UV Clarifier to be placed outside the Filter Tank to allow uncompromised addition of UV as needed.

UV CLARIFIER

MODEL: UV57-FH

GPM: 50

CORD LENGTH: 14 ft.

INCLUDED COMPONENTS:

- 57W UV lamp
- Transformer
- 22" UV Housing with 2" connection pipe & flex-connectors
- 2" Ball Valves

EZ TWIST CAP

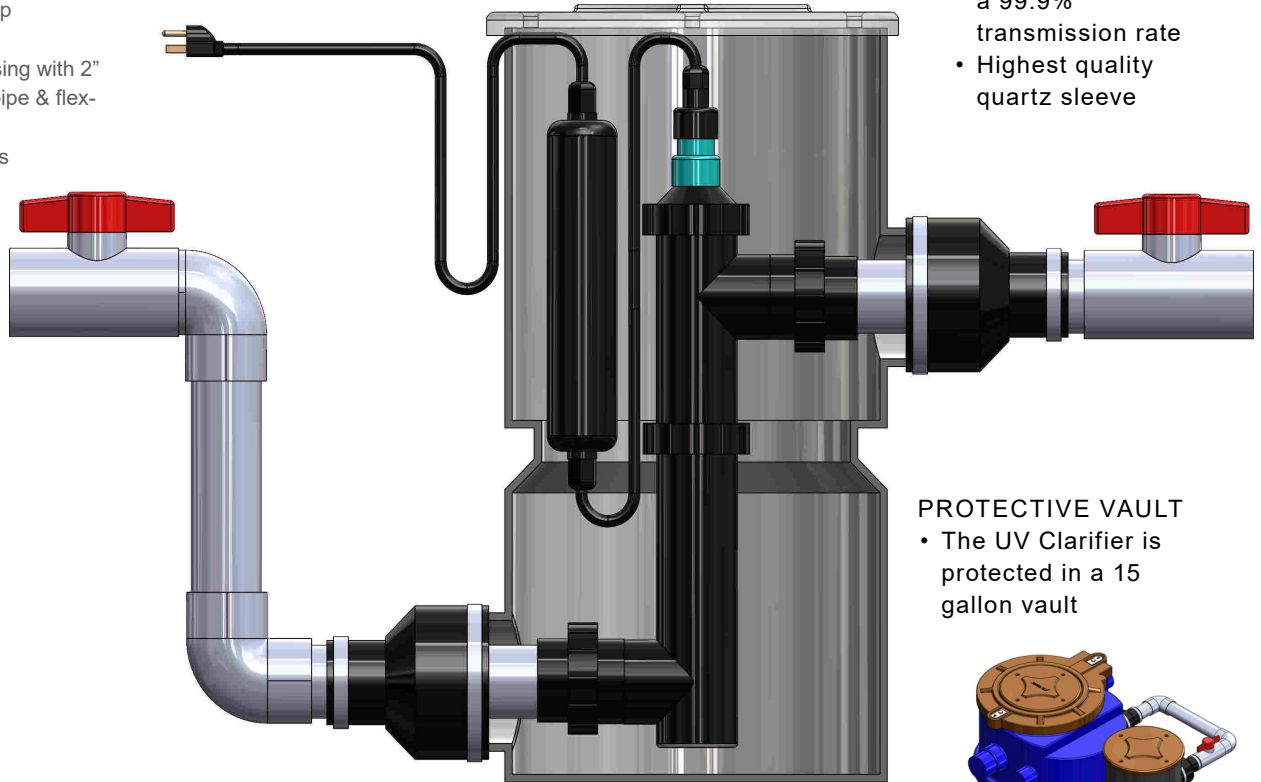
- Quick and easy quartz sleeve maintenance

CLEAR QUARTZ CAP

- Quick and easy quartz sleeve maintenance

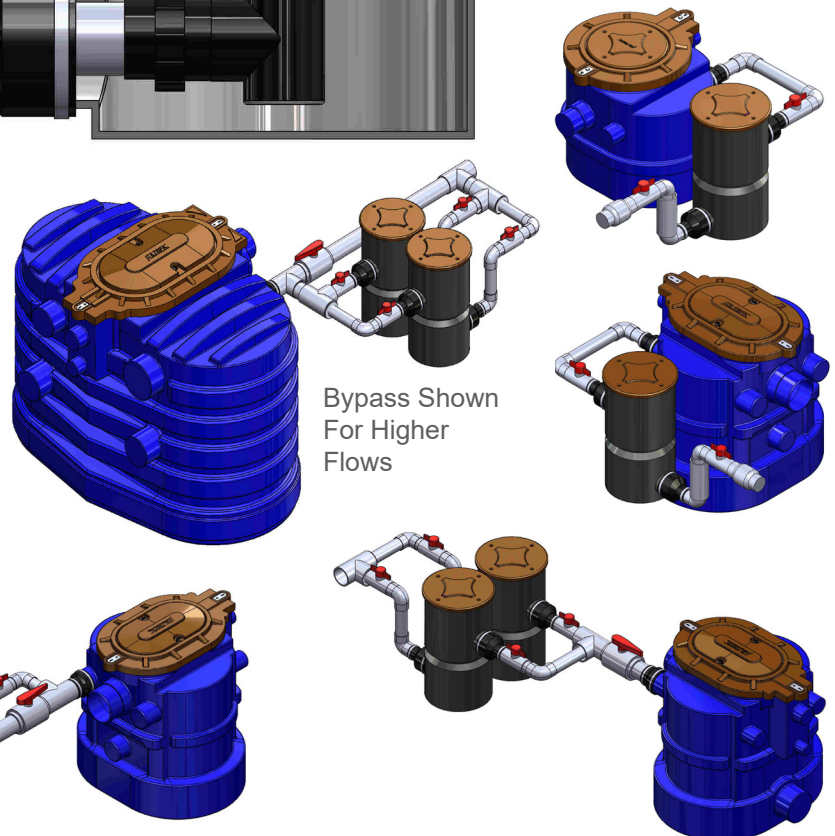
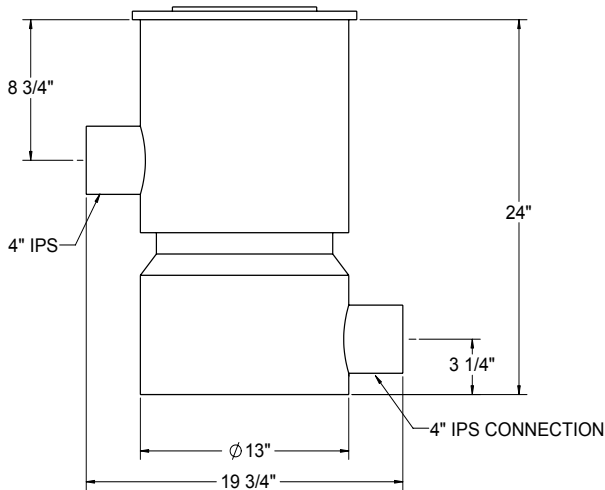
QUARTZ SLEEVE

- Allows for a 99.9% transmission rate
- Highest quality quartz sleeve



PROTECTIVE VAULT

- The UV Clarifier is protected in a 15 gallon vault



Bypass Shown For Higher Flows

WATERFALL STARTER | FIXTURES & COMPONENTS

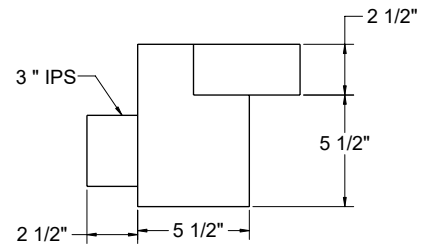
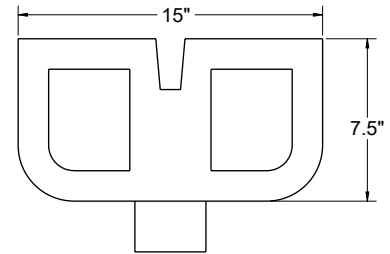
Give any water feature a natural look with the Filtrific® Waterfall Starter. Its versatile rock-bearing design neatly disguises it in any landscape, allowing only the water and natural elements to be seen.

ROCK POCKET

- Recessed top allows rock to be placed on top for a completely natural look

STRONG TOP

- Strong structural top for placement of large rock



WATERFALL STARTER

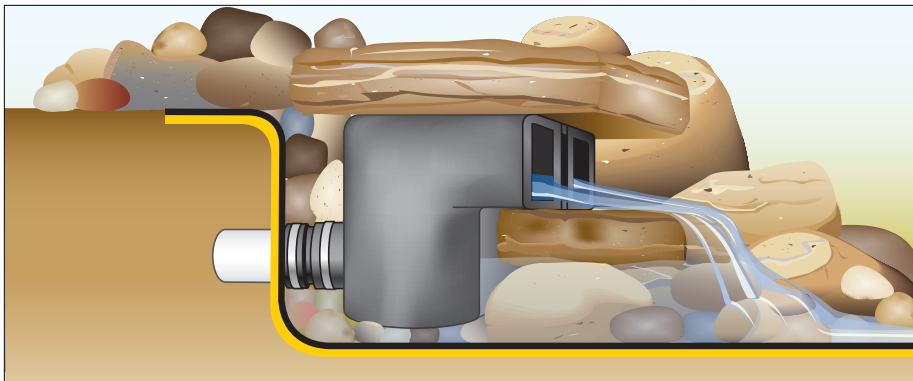
MODEL: WS1

GPM: 160

CONNECTION: 2" OR 3"

INCLUDED COMPONENTS:

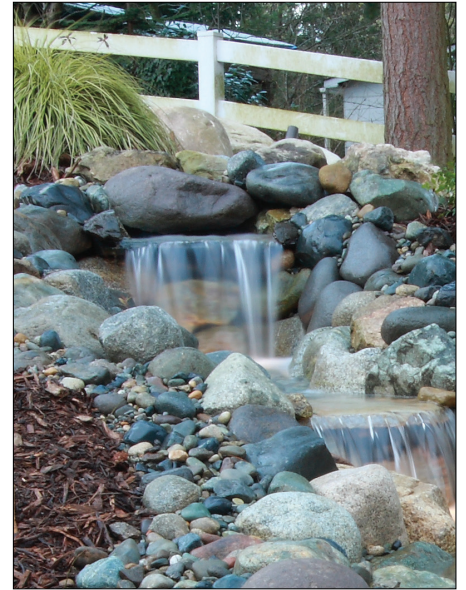
- 1 – 3" x 3" Flex-Coupling
- 1 – 3" Liner Connection Kit
- 1 – 3" Slip 90
- 1 – 3" x 8" Cut Pipe
- 1 – 3" x 2" SS Reducer Bushing



The Waterfall Starter's innovative design allows only the natural elements and flowing water to be seen.



Invert the Waterfall Starter for a pooling start to the waterfall or stream.



The versatile rock-bearing design supports large or small rock and can start the water course with a tall or zero water drop.



The small profile Waterfall Starter allows a wide or narrow start to the waterfall.

PUMP DISCHARGE KITS |

Filtrific®'s large selection of adjustable pump discharge kits accommodate varying pump profiles and threads. Pass-Thru™ hub connections allow pipe to pass continuously through the Filter Tank wall without interruption.



Model	Pump Thread Connection	Exit Pipe Size	Compatible Filter Tanks	Port
DO1	1-1/2" & 2"	2"	T40F	Front or Back
D21Q	1-1/2", & 2"	2"	T75F	Front or Back
D24Q	2" & 3"	3"	T75F	Front
D31Q	1-1/2" & 2"	2"	T390F	Front
D34Q	2" & 3"	3"	T390F	Front
D35	3"	3"	T390F	Front
D36	4"	4"	T390F	Back
D37	6"	6"	T390F	Back

IN-TANK SPRAY HEAD

MODEL: PCJ-34

GPM: 3.4 at 50 PSI

CONNECTION: 1/2" MIPT Thread

FEATURES:

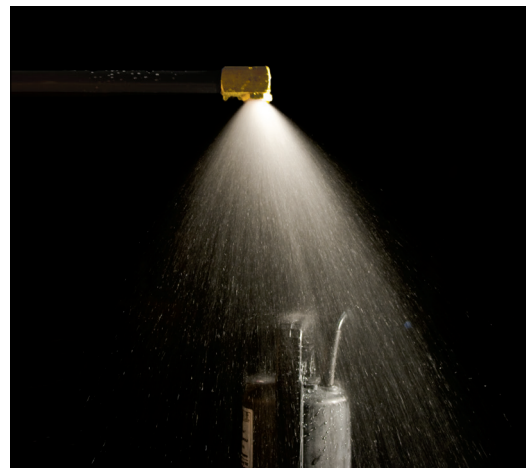
- Easily added to T75F & T390F discharges by removing the threaded 1/2" plug on the top of the discharge tee
- Can be used with all Filter Screen mesh sizes

NON-CLOG NOZZLE DESIGN

- The vaneless full-cone design assures non-clog nozzle operation in Filtrific® installations with stainless-steel Filter Baskets



DISCHARGE CONNECTION
T75F & T390F Pump
Discharge Kits include a 1/2"
FIPT connection port for the
easy addition of spray heads

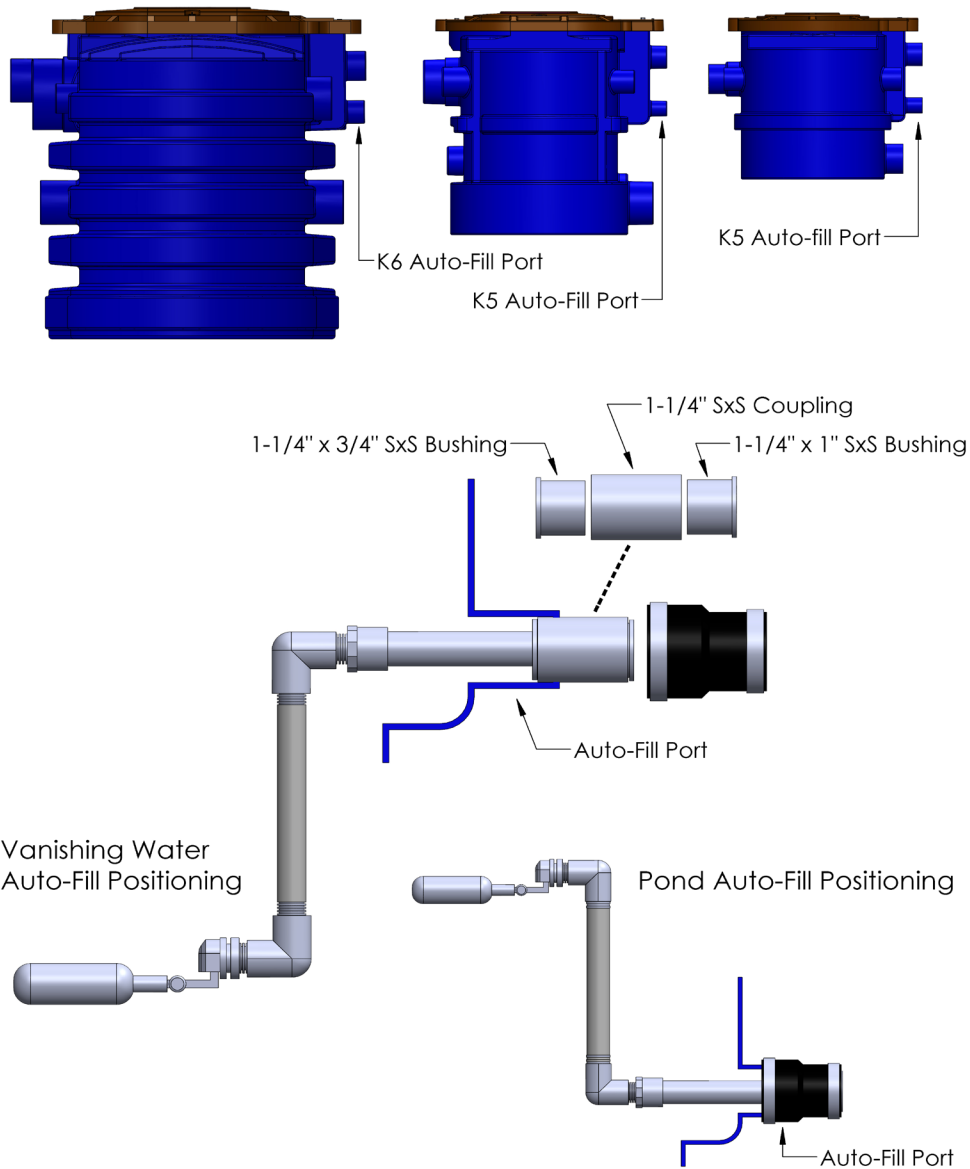


PUMP MOTOR COOLING
The In-Tank Spray Head provides
cooling to pump motors operating
at low water levels.

| MECHANICAL AUTO-FILLS

The Auto-Fill Assembly connects to the overflow port on the Filter Tank and can be positioned according to the application at either a high or low level in the Filter Tank.

K5 and K6 Auto-Fill Assembly



FIXTURES & COMPONENTS | MECHANICAL AUTO-FILLS

The Auto-Fill Assembly connects to the overflow port on the Filter Tank and can be positioned according to the application at either a high or low level in the Filter Tank.



MECHANICAL AUTO-FILL

CONNECTION: 1"

FEATURES:

- Adds 1.5 GPM as needed
- Connects to Filter Tank Auto-Fill ports

FOR T40F & T75F:

MODEL: K5



MECHANICAL AUTO-FILL

CONNECTION: 1"

FEATURES:

- Adds 1.5 GPM as needed
- Connects to Filter Tank Auto-Fill ports

FOR T390F:

MODEL: K6



VANISHING WATER / HYBRI-POND POSITION
To allow full use of the reservoir in Vanishing Water™ and Hybri-Pond™ installations, the Auto-Fill is positioned low in the Filter Tank.



TRADITIONAL POND POSITION
In Traditional Pond installations, the Auto-Fill is positioned near the top of the Filter Tank.

The EVF-1 and EVF-2 Electric Auto-Fill devices operate using a 24V electric float-switch that easily connects to any 24V irrigation controller. The EVF-1 and EVF-2 are perfect for large installations with regularly occurring evaporation or water loss and have the ability to add up to 35 GPM when necessary.

ELECTRIC AUTO-FILL

CONNECTION: 1"

FEATURES:

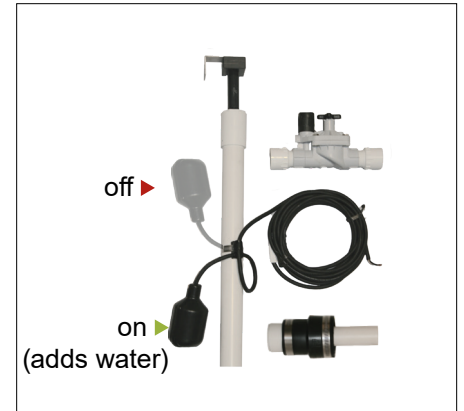
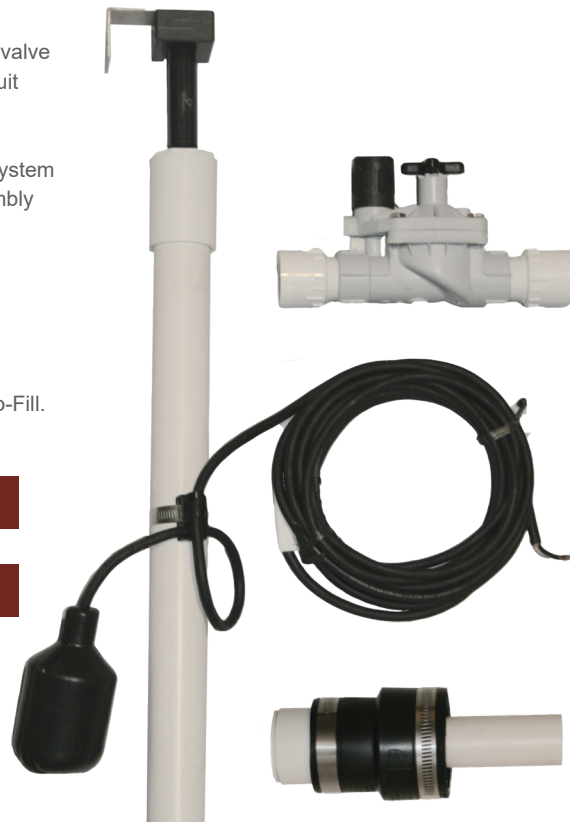
- Float controlled 24V electric valve connects to any unused circuit on a 24V irrigation controller (Controller not provided)
- Unique Top-Rim Mounting System eliminates any in-tank assembly adjustments
- Up to 35 GPM
- Connects to Filter Tank Auto-Fill port
- Use one of the multi-start programs on an irrigation controller to operate the Auto-Fill.

FOR T40F & T75F:

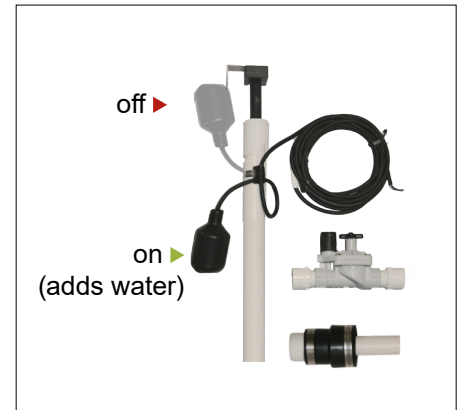
MODEL: EVF-1

FOR T390F:

MODEL: EVF-2



LARGE VANISHING WATER™ / HYBRID-POND POSITION



LARGE TRADITIONAL POND POSITION

FIXTURES & COMPONENTS | PUMP SHUT-OFF DEVICES

The Pump Shut-Off temporarily turns the pump off if the water level gets too low in the Filter Tank, and turns back on when the float is in the up position. The waterfall will cycle on and off, giving a visual indication that water needs to be added to the system.

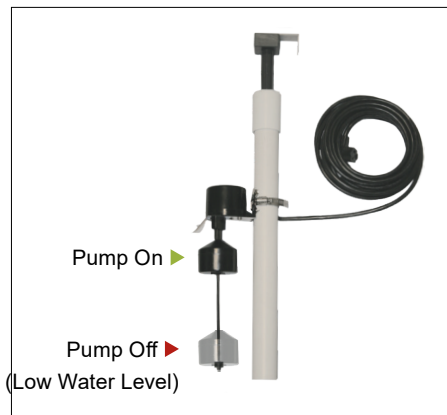
NOTE: A Pump Shut-Off is highly recommended, especially if an Auto-Fill is not installed. If an Auto-Fill is installed, the pump-switch must be positioned lower than the Auto-Fill, otherwise water will never be added.



SMALL PUMP SHUT-OFF

MODEL: PS1

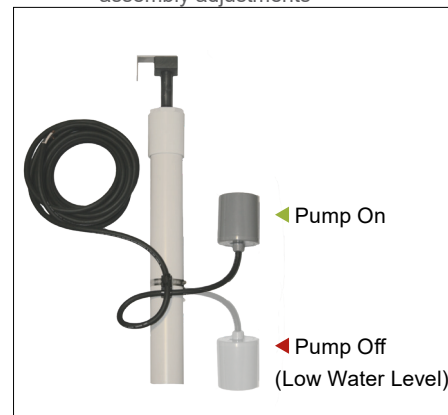
- @120V: 13 amps max.
- Unique Top-Rim Mounting System eliminates any in-tank assembly adjustments



LARGE PUMP SHUT-OFF

MODEL: PS2

- @120V: 20 amps max. 1-1/2 hp or less
- @230V: 20 amps max. 3 hp or less
- Unique Top-Rim Mounting System eliminates any in-tank assembly adjustments



REDUCING COUPLINGS

2" X 1-1/2"

MODEL: RC-2150

3" x 2":

MODEL: RC-32

4" x 2"

MODEL: RC-42

4" X 3"

MODEL: RC-43

6" X 4"

MODEL: RC-64



ECCENTRIC COUPLINGS

4" X 4"

MODEL: RC-44E

6" x 4"

MODEL: RC-64E

6" x 6"

MODEL: RC-66E



STRAIGHT COUPLINGS

2" X 2"

MODEL: RC-22

3" x 3"

MODEL: RC-33

4" x 4"

MODEL: RC-44

6" x 6"

MODEL: RC-66

10" X 10"

MODEL: RC1-1010



WYE FITTING

10" X 6"

MODEL: RC2

LINER CONNECTION KIT

FOR 2" PIPE:

MODEL: RC2

FOR 3" PIPE:

MODEL: RC3

FOR 4" PIPE:

MODEL: RC4

FOR 6" PIPE:

MODEL: RC6

FOR 10" PIPE:

MODEL: RC10



TRACING DISC

- Assures the correct diameter cutout

LINER CONNECTION CLAMP

- Provides a tight, uniform clamping pressure over the stretched liner

SERVICE PLUGS

4" FOR T40F

MODEL: WP1

6" For T75F & T390F

MODEL: WP2



FOR EXTRA HIGH-FLOW APPLICATIONS

DUAL SKIMMER FITTING

MODEL: Y1066

- For use with T390F Filter Tank, S66 & S66D Skimmers

GPM: 400

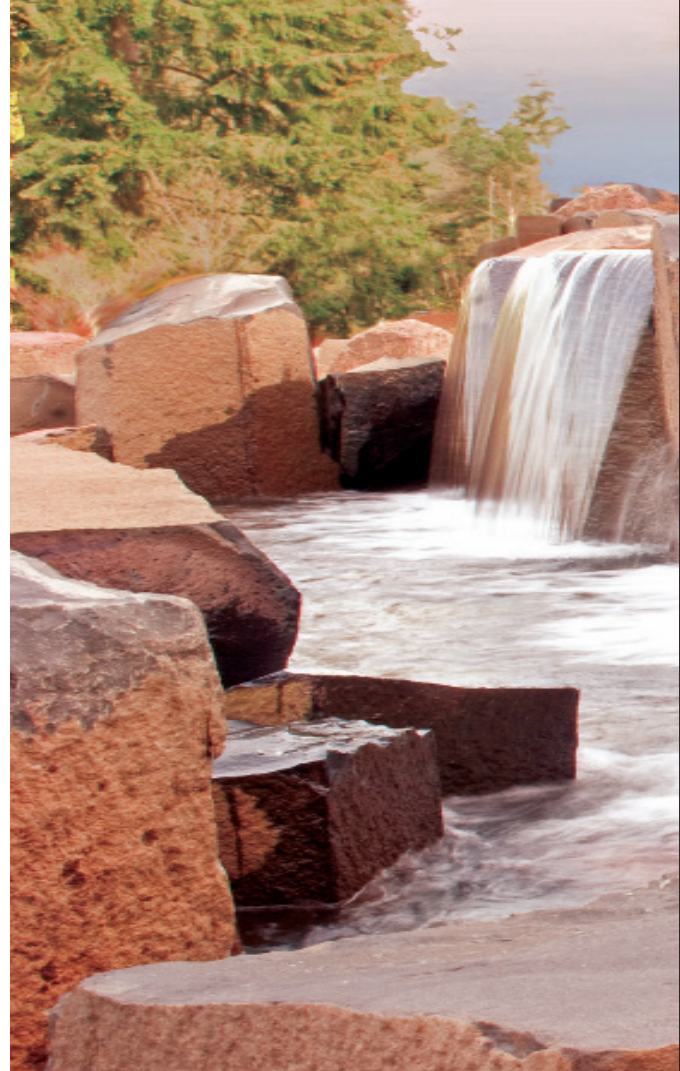
CONNECTION: 10" x 10" Filter Tank Coupling

INCLUDED COMPONENTS:

- 1 – Dual Fixed Skimmer Fitting
- 1 – 10" x 10" Flex-Coupling



FILTRIFIC® WARRANTY



Warranty Info

LIMITED TRADE WARRANTY

The Filtrific® Co. LLC (Filtrific) offers a 5 year warranty on all polyethylene Filter and Expansion Tank products. All other products and accessory components are warranted to be free of defects in material and workmanship for a period of two (2) years from the original date of purchase. This warranty extends only to the original installer of the Filtrific® product. Filtrific® will repair or replace any properly handled and installed product which fails under normal operating conditions within the warranty period, providing an RGA is issued by Filtrific, and the material is returned to the factory shipping prepaid. This warranty does not extend to labor or replacement charges, nor does it apply to any equipment of another manufacturer used in conjunction with Filtrific® equipment. Filtrific® shall not be liable for indirect, incidental, or consequential damages.



Filtrific®
13280 NE Spring Blvd.
Bellevue, WA 98005
P: 800.906.0604 • F: 425.482.9559
www.filtrific.com

AVAILABLE FROM:

Copyright 2026 by Filtrific® Company LLC. Printed in U.S.A.
Certain products illustrated in this catalog are protected
by applicable patents and patents pending. Filtrific® will
aggressively defend all of its intellectual property.

