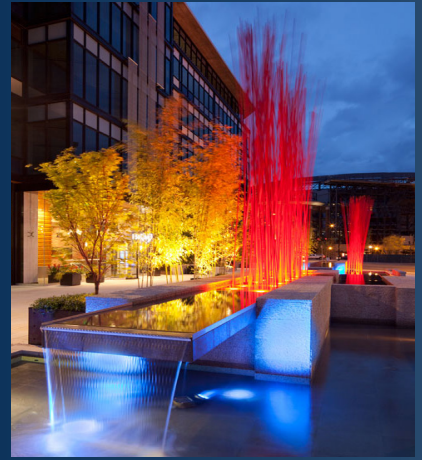


Sizing Tables

Formal Water Features



Products for Professional Water Features

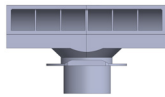
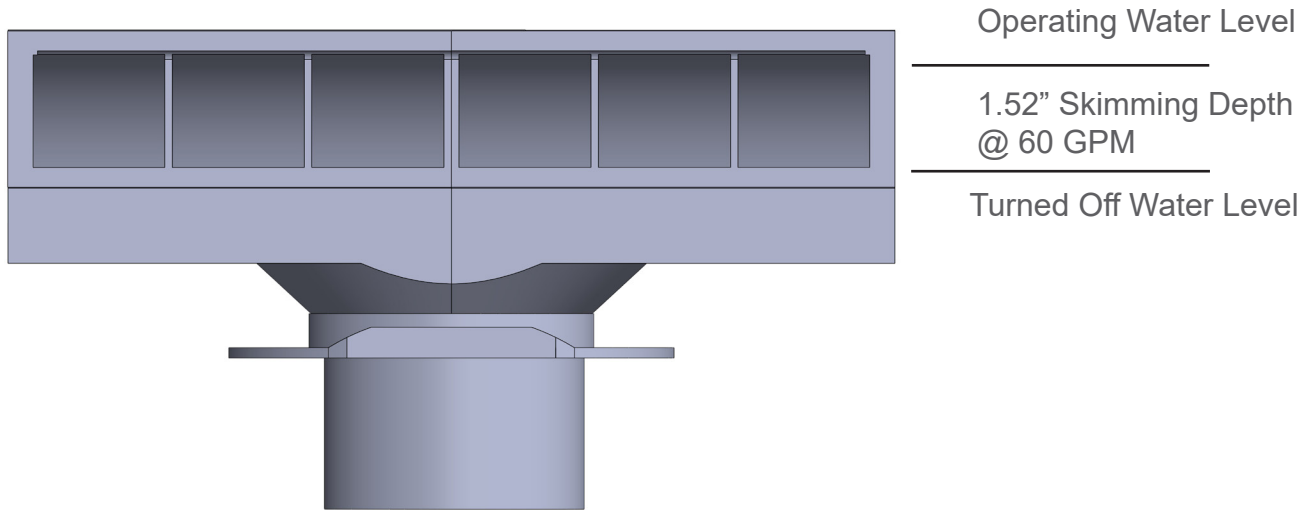
FOUNTAINS • WATERFALLS • POOLS

FILTRIFIC[®]

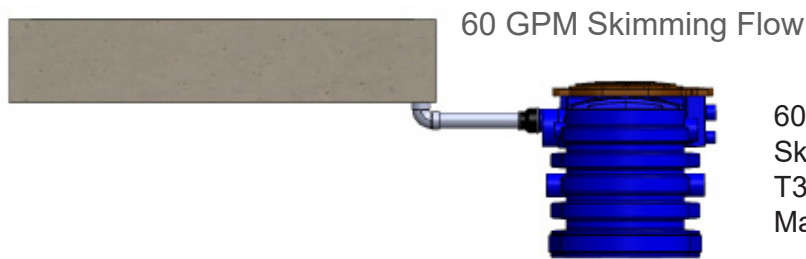
PRODUCT CATALOG | SYSTEM SIZING

ELEVATED POOL | GUIDE TO SIZING TABLES

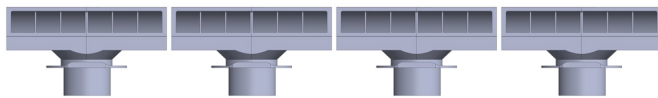
The Following Are Two Sizing Examples From The Tables On the Following Pages.



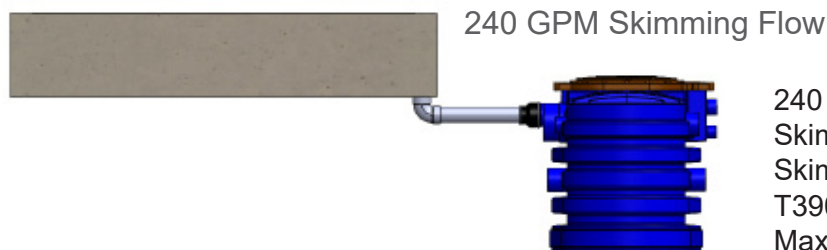
285 Sq Ft Maximum Pool Surface



60 GPM With (1) S3 Skimmer
Skimming Depth 1.52"
T390F Filter Tank = 285 Sq Ft
Max Pool Surface



284 Sq Ft Maximum Pool Surface



240 GPM With (4) S3
Skimmers
Skimming Depth 1.52"
T390F Filter Tank = 284 Sq Ft
Max Pool Surface

T40F FILTER TANK

With Skimmers In 6" or Wider Walls 4

With Skimmers In 8" or Wider Walls.5

T75F FILTER TANK

With Skimmers in 6" or Wider Wals.....6

With Skimmers In 8" or Wider Walls.....7

T390F FILTER TANK

With Skimmers in 8" or Wider Walls8

Riser Pipe Skimmers

With Flow Caps For 2" and 3" Risers.....10

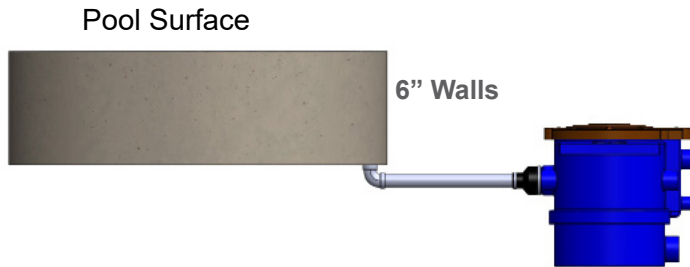
With Flow Caps For 4 Risers..... 11

With Flow Caps For 6" Risers.....12

Measurements

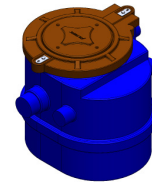
Filter Tank and Containment Measurements.....13

**T40F With Elevated Pool
Turn-Off Containment With
S2H6-25 and S2V6-25 Series Skimmers
(Abbreviated as “S2” Below)**



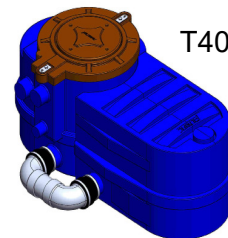
**S2V6-25 SERIES
6" Walls**

10 GPM With (1) S2 Skimmer
20 GPM With (2) S2 Skimmers
Skimming Depth .75"
T40F Filter Tank = 42 Sq Ft Max Pool Surface
T40F With (1) T40SP = 84 Sq Ft
T40F With (2) T40SP = 126 Sq Ft



T40F

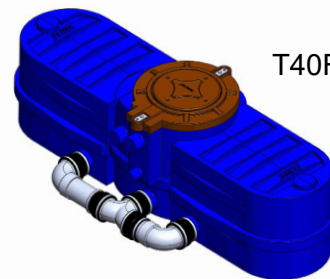
15 GPM (1) S2 Skimmer
30 GPM (2) S2 Skimmers
Skimming Depth 1.0"
T40F Filter Tank = 32 Sq Ft Max Pool Surface
T40F With (1) T40SP = 64 Sq Ft
T40F With (2) T40SP = 96 Sq Ft



T40F With (1) T40SP

20 GPM (1) S2 Skimmer
40 GPM (2) S2 Skimmers
Skimming Depth 1.23"
T40F Filter Tank = 26 Sq Ft Max Pool Surface
T40F With (1) T40SP = 52 Sq Ft
T40F With (2) T40SP = 78 Sq Ft

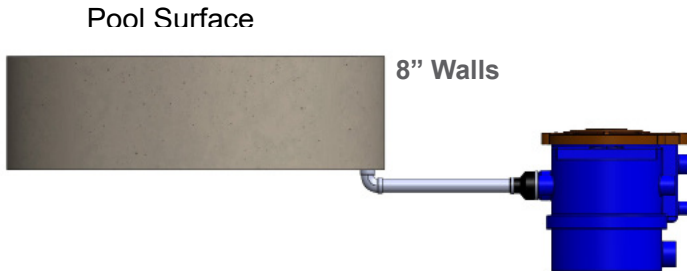
25 GPM (1) S2 Skimmer
50 GPM (2) S2 Skimmers
Skimming Depth 1.35"
T40F Filter Tank = 23 Sq Ft Max Pool Surface
T40F With (1) T40SP = 46 Sq Ft
T40F With (2) T40SP = 69 Sq Ft



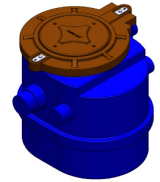
T40F With (2) T40SP

ELEVATED POOL | T40F SIZING TABLES

T40F With Elevated Pool Turn-Off Containment With S3H8-60 and S3V8-60 Series Skimmers (Abbreviated as "S3" Below)

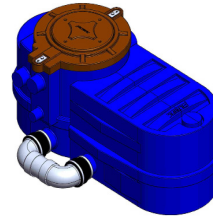


S3V8-60 SERIES
8" Walls

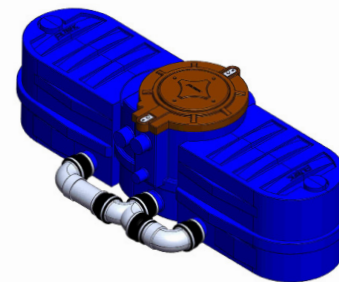


T40F

T40F With (1) T40SP



T40F With (2) T40SP



20 GPM With (1) S3 Skimmer
40 GPM With (2) S3 Skimmers
Skimming Depth .72"
T40F Filter Tank = 44 Sq Ft Max Pool Surface
With (1) T40SP = 88 Sq Ft
With (2) T40SP = 132 Sq Ft

25 GPM With (1) S3 Skimmer
50 GPM With (2) S3 Skimmers
Skimming Depth .83"
T40F Filter Tank = 38 Sq Ft Max Pool Surface
T40F With (1) T40SP = 76 Sq Ft
T40F With (2) T40SP = 114 Sq Ft

30 GPM With (1) S3 Skimmer
60 GPM With (2) S3 S5 Skimmers
Skimming Depth .94"
T40F Filter Tank = 34 Sq Ft Max Pool Surface
T40F With (1) T40SP = 68 Sq Ft
T40F With (2) T40SP = 102 Sq Ft

35 GPM With (1) S3 Skimmer
70 GPM With (2) S3 Skimmers
Skimming Depth 1.04"
T40F Filter Tank = 31 Sq Ft Max Pool Surface
T40F With (1) T40SP = 62 Sq Ft
T40F With (2) T40SP = 93 Sq Ft

40 GPM With (1) S3 Skimmer
80 GPM With (2) S3 Skimmers
Skimming Depth 1.129"
T40F Filter Tank = 28 Sq Ft Max Pool Surface
T40F With (1) T40SP = 56 Sq Ft
T40F With (2) T40SP = 84 Sq Ft

45 GPM With (1) S3 Skimmer
Skimming Depth 1.24"
T40F Filter Tank = 25 Sq Ft Max Pool Surface
T40F With (1) T40SP = 50 Sq Ft
T40F With (2) T40SP = 75 Sq Ft

50 GPM With (1) S3 Skimmer
Skimming Depth 1.32"
T40F Filter Tank = 24 Sq Ft Max Pool Surface
T40F With (1) T40SP = 48 Sq Ft
T40F With (2) T40SP = 72 Sq Ft

55 GPM With (1) S3 Skimmer
Skimming Depth 1.42"
T40F Filter Tank = 22 Sq Ft Max Pool Surface
T40F With (1) T40SP = 44 Sq Ft
T40F With (2) T40SP = 66 Sq Ft

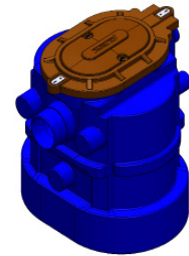
60 GPM With (1) S3 Skimmer
Skimming Depth 1.5"
T40F Filter Tank = 21 Sq Ft Max Pool Surface
T40F With (1) T40SP = 42 Sq Ft
T40F With (2) T40SP = 63 Sq Ft

**T75F With Elevated Pool
Turn-Off Containment With
S2H6-25 and S2V6-25 Series Skimmers
(Abbreviated as “S2” Below)**



**S2V6-25 SERIES
6" Walls**

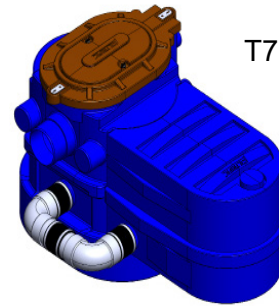
Pool Surface



T75F

10 GPM With (1) S2 Skimmer
20 GPM With (2) S2 Skimmers
Skimming Depth .75"
T75F Filter Tank = 85 Sq Ft Max Pool Surface
T75F With (1) T40SP = 170 Sq Ft
T75F With (2) T40SP = 255 Sq Ft

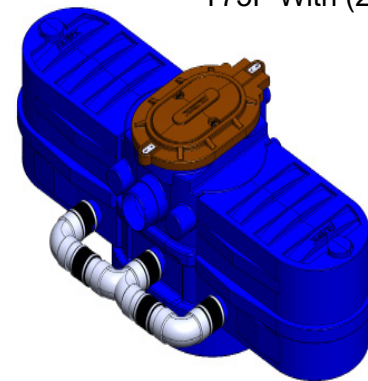
15 GPM With (1) S2 Skimmer
30 GPM With (2) S2 Skimmers
Skimming Depth 1.0"
T75F Filter Tank = 64 Sq Ft Max Pool Surface
T75F With (1) T40SP = 128 Sq Ft
T75F With (2) T40SP = 192 Sq Ft



T75F With (1) T40SP

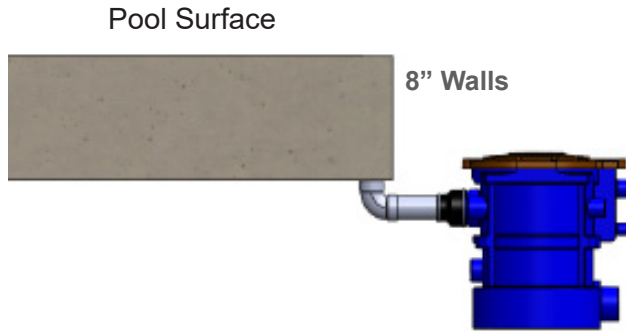
20 GPM With (1) S2 Skimmer
40 GPM With (2) S2 Skimmers
Skimming Depth 1.23"
T75F Filter Tank = 52 Sq Ft Max Pool Surface
T75F With (1) T40SP = 104 Sq Ft
T75F With (2) T40SP = 156 Sq Ft

25 GPM With (1) S2 Skimmer
50 GPM With (2) S2 Skimmers
Skimming Depth 1.35"
T75F Filter Tank = 47 Sq Ft Max Pool Surface
T75F With (1) T40SP = 94 Sq Ft
T75F With (2) T40SP = 141 Sq Ft



T75F With (2) T40SP

T75F With Elevated Pool Turn-Off Containment With S3H8-60 and S3V8-60 Series Skimmers (Abbreviated as "S3" Below)



20 GPM With (1) S3 Skimmer
40 GPM With (2) S3 Skimmers
Skimming Depth .72"
T75F Filter Tank = 89 Sq Ft Max Pool Surface
T75F With (1) T40SP = 178 Sq Ft
T75F With (2) T40SP = 267 Sq Ft

25 GPM With (1) S3 Skimmer
50 GPM With (2) S5 Skimmers
Skimming Depth .83"
T75F Filter Tank = 77 Sq Ft Max Pool Surface
T75F With (1) T40SP = 144 Sq Ft
T75F With (2) T40SP = 231 Sq Ft

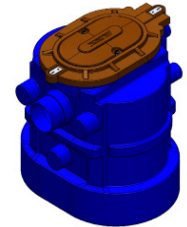
30 GPM With (1) S3 Skimmer
60 GPM With (2) S3 S5 Skimmers
Skimming Depth .94"
T75F Filter Tank = 68 Sq Ft Max Pool Surface
T75F With (1) T40SP = 136 Sq Ft
T75F With (2) T40SP = 204 Sq Ft

35 GPM With (1) S3 Skimmer
70 GPM With (2) S3 Skimmers
Skimming Depth 1.04"
T75F Filter Tank = 61 Sq Ft Max Pool Surface
T75F With (1) T40SP = 122 Sq Ft
T75F With (2) T40SP = 183 Sq Ft

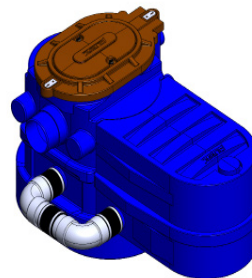
40 GPM With (1) S3 Skimmer
80 GPM With (2) S3 Skimmers
Skimming Depth 1.15"
T75F Filter Tank = 55 Sq Ft Max Pool Surface
T75F With (1) T40SP = 110 Sq Ft
T75F With (2) T40SP = 165 Sq Ft



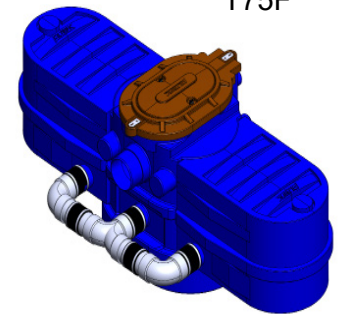
S3V8-60 SERIES
8" Walls



T75F



T75F With (1) T40SP



T75F With (2) T40SP

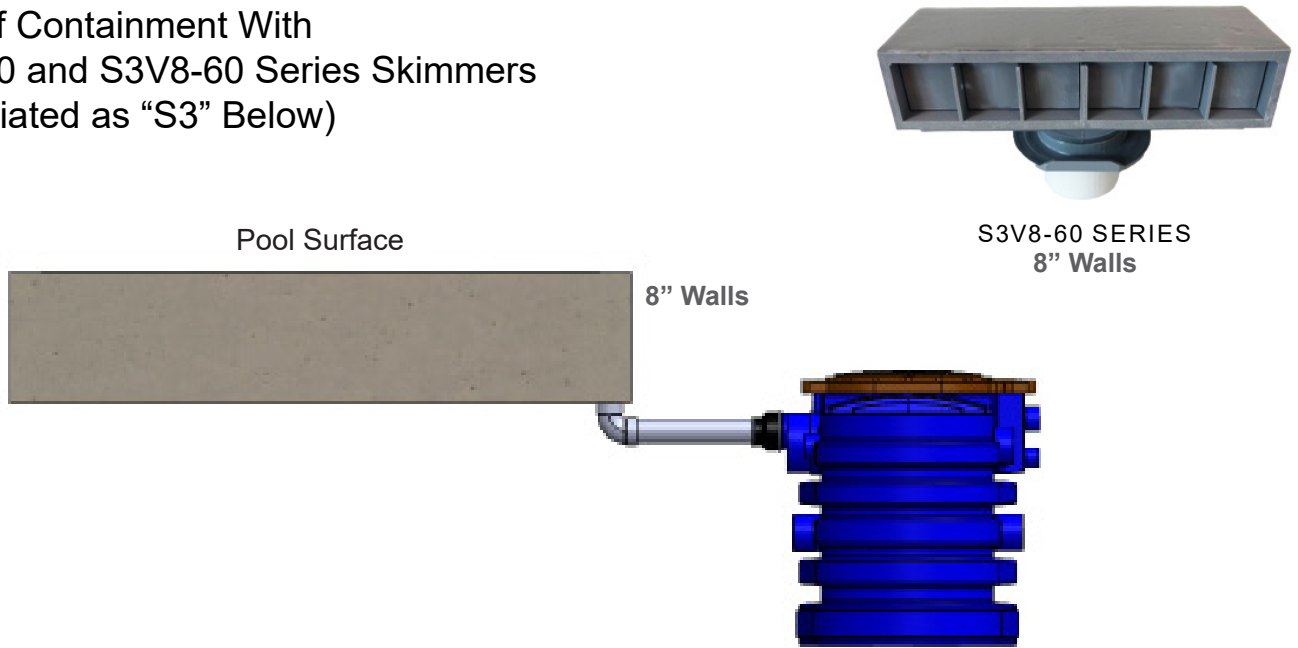
45 GPM With (1) S3 Skimmer
90 GPM With (2) S3 Skimmers
Skimming Depth 1.24"
T75F Filter Tank = 51 Sq Ft Max Pool Surface
T75F With (1) T40SP = 102 Sq Ft
T75F With (2) T40SP = 153 Sq Ft

50 GPM With (1) S3 Skimmer
100 GPM With (2) S3 Skimmers
Skimming Depth 1.34"
T75F Filter Tank = 47 Sq Ft Max Pool Surface
T75F With (1) T40 SP = 94 Sq Ft
T75F With (2) T40SP = 141 Sq Ft

55 GPM With (1) S3 Skimmer
110 GPM With (2) S3 Skimmers
Skimming Depth 1.42"
T75F Filter Tank = 45 Sq Ft Max Pool Surface
With (1) T40SP = 90 Sq Ft
With (2) T40SP = 135 Sq Ft

60 GPM With (1) S3 Skimmer
120 GPM With (2) S3 Skimmers
Skimming Depth 1.5"
T75F Filter Tank = 42 Sq Ft Max Pool Surface
T75F With (1) T40SP = 84 Sq Ft
T75F With (2) T40SP = 126 Sq Ft

**T390F With Elevated Pool
Turn-Off Containment With
S3H8-60 and S3V8-60 Series Skimmers
(Abbreviated as “S3” Below)**



20 GPM With (1) S3 Skimmer
Skimming Depth .72”
T390F Filter Tank = 602 Sq Ft Max Pool Surface

25 GPM With (1) S3 Skimmer
Skimming Depth .83”
T390F Filter Tank = 522 Sq Ft Max Pool Surface

30 GPM With (1) S3 Skimmer
Skimming Depth .94”
T390F Filter Tank = 461 Sq Ft Max Pool Surface

35 GPM With (1) S3 Skimmer
Skimming Depth 1.04”
T390F Filter Tank = 417 Sq Ft Max Pool Surface

40 GPM With (1) S3 Skimmer
Skimming Depth 1.15”
T390F Filter Tank = 377 Sq Ft Max Pool Surface

45 GPM With (1) S3 Skimmer
Skimming Depth 1.24”
T390F Filter Tank = 350 Sq Ft Max Pool Surface

50 GPM With (1) S3 Skimmer
Skimming Depth 1.34”
T390F Filter Tank = 323 Sq Ft Max Pool Surface

55 GPM With (1) S3 Skimmer
Skimming Depth 1.42”
T390F Filter Tank = 305 Sq Ft Max Pool Surface

60 GPM With (1) S3 Skimmer
Skimming Depth 1.52”
T390F Filter Tank = 285 Sq Ft Max Pool Surface

70 GPM With (2) S3 Skimmers
Skimming Depth 1.04”
T390F Filter Tank = 417 Sq Ft Max Pool Surface

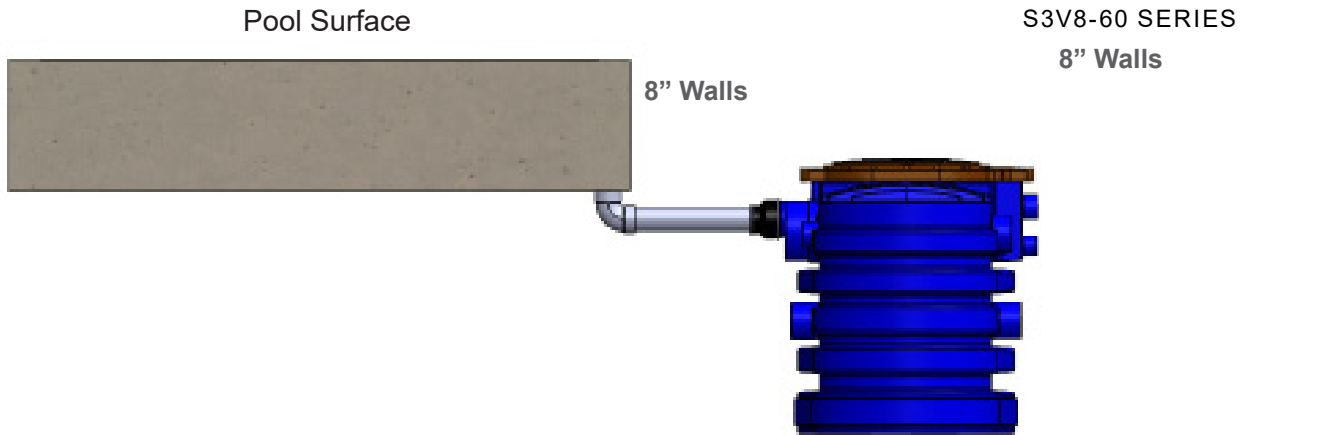
80 GPM With (2) S3 Skimmers
Skimming Depth 1.15”
T390F Filter Tank = 377 Sq Ft Max Pool Surface

90 GPM With (2) S3 Skimmers
Skimming Depth 1.24”
T390F Filter Tank = 350 Sq Ft Max Pool Surface

100 GPM With (2) S3 Skimmers
Skimming Depth 1.34”
T390F Filter Tank = 323 Sq Ft Max Pool Surface

110 GPM With (2) S3 Skimmers
Skimming Depth 1.42”
T390F Filter Tank = 305 Sq Ft Max Pool Surface

**T390F With Elevated Pool
Turn-Off Containment With
S3H8-60 and S3V8-60 Series Skimmers
(Abbreviated as "S3" Below)**



**S3V8-60 SERIES
8" Walls**

120 GPM With (2) S3 Skimmers
Skimming Depth 1.52"
T390F Filter Tank = 285 Sq Ft Max Pool Surface

130 GPM With (3) S3 Skimmers
Skimming Depth 1.195"
T390F Filter Tank = 362 Sq Ft Max Pool Surface

140 GPM With (3) S3 Skimmers
Skimming Depth 1.293"
T390F Filter Tank = 335 Sq Ft Max Pool Surface

150 GPM With (3) S3 Skimmers
Skimming Depth 1.34"
T390F Filter Tank = 323 Sq Ft Max Pool Surface

160 GPM With (3) S3 Skimmers
Skimming Depth 1.38"
T390F Filter Tank = 313 Sq Ft Max Pool Surface

170 GPM With (3) S3 Skimmers
Skimming Depth 1.47"
T390F Filter Tank = 294 Sq Ft Max Pool Surface

180 GPM With (3) S3 Skimmers
Skimming Depth 1.52"
T390F Filter Tank = 284 Sq Ft Max Pool Surface

190 GPM With (4) S3 Skimmers
Skimming Depth 1.29"
T390F Filter Tank = 335 Sq Ft Max Pool Surface

200 GPM With (4) S3 Skimmers
Skimming Depth 1.34"
T390F Filter Tank = 323 Sq Ft Max Pool Surface

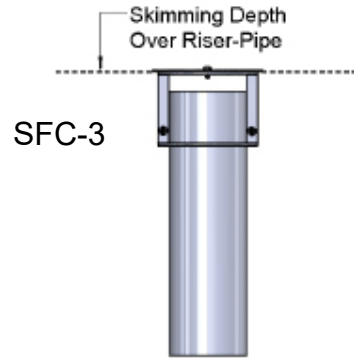
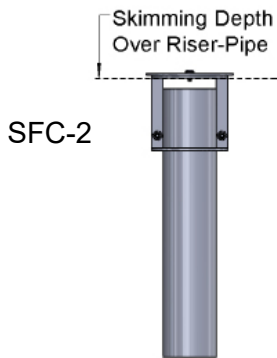
210 GPM With (4) S3 Skimmers
Skimming Depth 1.38"
T390F Filter Tank = 313 Sq Ft Max Pool Surface

220 GPM With (4) S3 Skimmers
Skimming Depth 1.42"
T390F Filter Tank = 304 Sq Ft Max Pool Surface

230 GPM With (4) S3 Skimmers
Skimming Depth 1.47"
T390F Filter Tank = 294 Sq Ft Max Pool Surface

240 GPM With (4) S3 Skimmers
Skimming Depth 1.52"
T390F Filter Tank = 284 Sq Ft Max Pool Surface

T40F, T75F Elevated System Turn-Off Containment For Pipe Skimmers



T40F Filter Tank

10 GPM With (1) SFC-2 Skimmer
 20 GPM With (2) SFC-2 Skimmers
 Skimming Depth .65"
 T40F Filter Tank = 51 Sq Ft Max Pool Surface
 T40F With (1) T40SP = 102 Sq Ft
 T40F With (2) T40SP = 77 Sq Ft

T40F Filter Tank

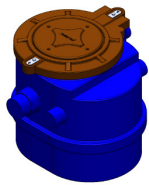
20 GPM With (1) SFC-3 Skimmer
 40 GPM With (2) SFC-3 Skimmers
 Skimming Depth .78"
 T40F Filter Tank = 41 Sq Ft Max Pool Surface
 T40F With (1) T40SP = 82 Sq Ft
 T40F With (2) T40SP = 123 Sq Ft

T75F Filter Tank

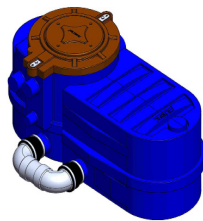
10 GPM (1) SFC-2 Skimmer
 20 GPM (2) SFC-2 Skimmers
 Skimming Depth .65"
 T75F Filter Tank = 102 Sq Ft Max Pool Surface
 T75F With (1) T40SP = 204 Sq Ft
 T75F With (2) T40SP = 306 Sq Ft

T75F Filter Tank

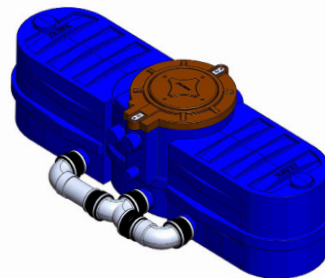
20 GPM With (1) SFC-3 Skimmer
 40 GPM With (2) SFC-3 Skimmers
 Skimming Depth .78"
 T75F Filter Tank = 82 Sq Ft Max Pool Surface
 T75F With (1) T40SP = 164 Sq Ft
 T75F With (2) T40SP = 246 Sq Ft



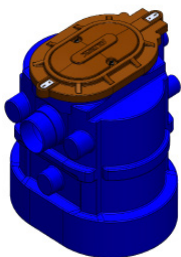
T40F



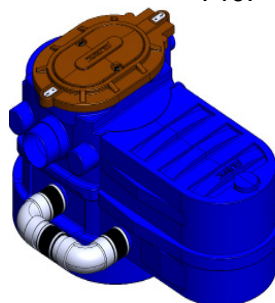
T40F With (1) T40SP



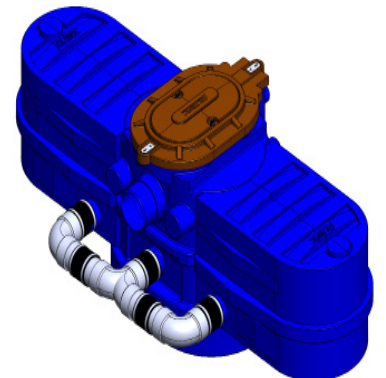
T40F With (2) T40SP



T75F

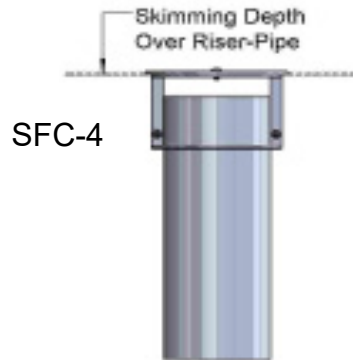


T75F With (1) T40SP



T75F With (2) T40SP

T40F, T75F, T390F Elevated System Turn-Off Containment For Pipe Skimmers



T75F Filter Tank

40 GPM With (1) SFC-4 Skimmer
80 GPM With (2) SFC-4 Skimmers
Skimming Depth: 1.04”

T75F Filter Tank = 61 Sq Ft Max Pool Surface
T75F With (1) T40SP = 123 Sq Ft
T75F With (2) T40SP = 185 Sq Ft

45 GPM With (1) SFC-4 Skimmer
90 GPM With (2) SFC-4 Skimmers
Skimming Depth: 1.125”

T75F Filtrific Tank = 57 Sq Ft Max Pool Surface
T75F With (1) T40SP = 114 Sq Ft
T75F With (2) T40SP = 171 Sq Ft

50 GPM With (1) SFC-4 Skimmer
100 GPM With (2) SFC-4 Skimmers
Skimming Depth: 1.21”

T75F Filtrific Tank = 53 Sq Ft Max Pool Surface
T75F With (1) T40SP = 106 Sq Ft
T75F With (2) T40SP = 160 Sq Ft

T75F Filter Tank

55 GPM With (1) SFC-4 Skimmer
110 GPM With (2) SFC-4 Skimmers
Skimming Depth: 1.29”

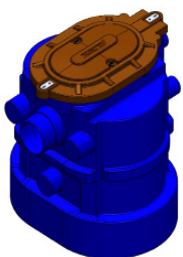
T75F Filter Tank = 50 Sq Ft Max Pool Surface
T75F With (1) T40SP = 100 Sq Ft
T75F With (2) T40SP = 150 Sq Ft

60 GPM With (1) SFC-4 Skimmer
120 GPM With (2) SFC-4 Skimmers
Skimming Depth: 1.37”

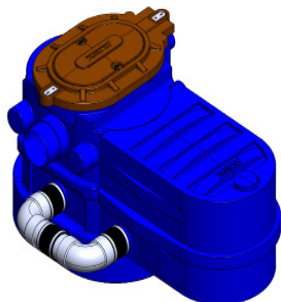
T75F Filter Tank = 46 Sq Ft Max Pool Surface
T75F With (1) T40SP = 93 Sq Ft
T75F With (2) T40SP = 140 Sq Ft

T390F Filter Tank

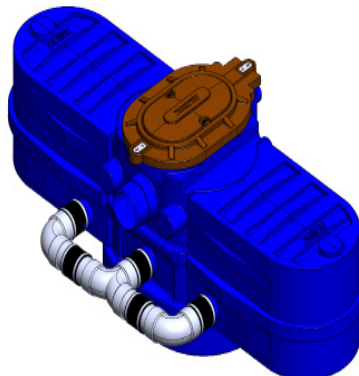
60 GPM With (1) SFC-4 Skimmer
120 GPM With (2) SFC-4 Skimmers
Skimming Depth: 1.37”
T390F = 316 Sq Ft Max Pool Surface



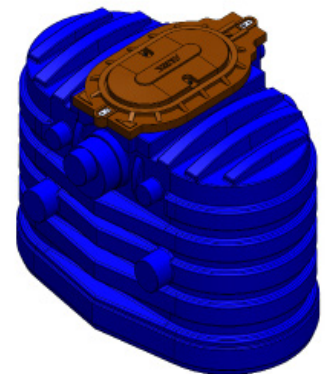
T75F



T75F With (1) T40SP

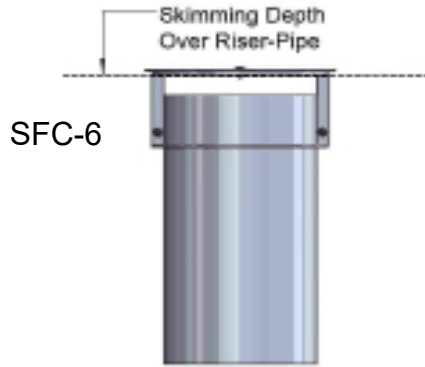


T75F With (2) T40SP



T390F

T75F, T390F Elevated System
Turn-Off Containment For Pipe Skimmers



T75F Filter Tank

60 GPM With (1) SFC-6 Skimmer
120 GPM With (2) SFC-6 Skimmers
Skimming Depth: 1.04"
T75F Filter Tank = 61 Sq Ft Max Pool Surface
T75F With (1) T40SP = 123 Sq Ft
T75F With (2) T40SP = 185 Sq Ft

65 GPM With (1) SFC-6 Skimmer
130 GPM With (2) SFC-6 Skimmers
Skimming Depth: 1.10"
T75F Filter Tank = 58 Sq Ft Max Pool Surface
T75F With (1) T40SP = 117 Sq Ft
T75F With (2) T40SP = 176 Sq Ft

70 GPM With (1) SFC-6 Skimmer
140 GPM With (2) SFC-6 Skimmers
Skimming Depth: 1.15"
T75F Filter Tank = 55 Sq Ft Max Pool Surface
T75F With (1) T40SP = 111 Sq Ft
T75F With (2) T40SP = 167 Sq Ft

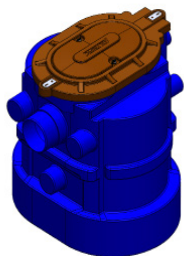
T75F Filter Tank

75 GPM With (1) SFC-6 Skimmer
150 GPM With (2) SFC-6 Skimmers
Skimming Depth: 1.21"
T75F Filter Tank = 53 Sq Ft Max Pool Surface
T75F With (1) T40SP = 106 Sq Ft
T75F With (2) T40SP = 160 Sq Ft

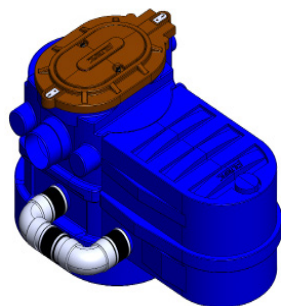
80 GPM With (1) SFC-6 Skimmer
160 GPM With (2) SFC-6 Skimmers
Skimming Depth: 1.26"
T75F Filtrific Tank = 51 Sq Ft Max Pool Surface
T75F With (1) T40SP = 102 Sq Ft
T75F With (2) T40SP = 153 Sq Ft

T390F Filter Tank

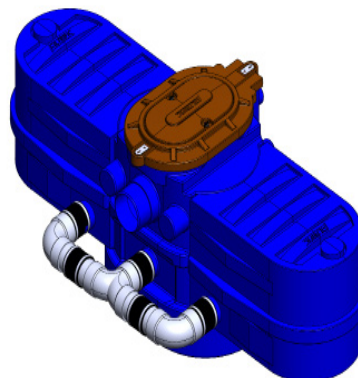
80 GPM With (1) SFC-6 Skimmer
160 GPM With (2) SFC-6 Skimmers
Skimming Depth: 1.26"
T390F = 344 Sq Ft Max Pool Surface



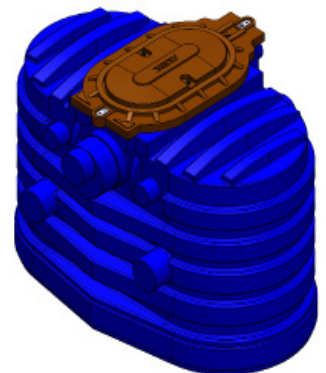
T75F



T75F With (1) T40SP



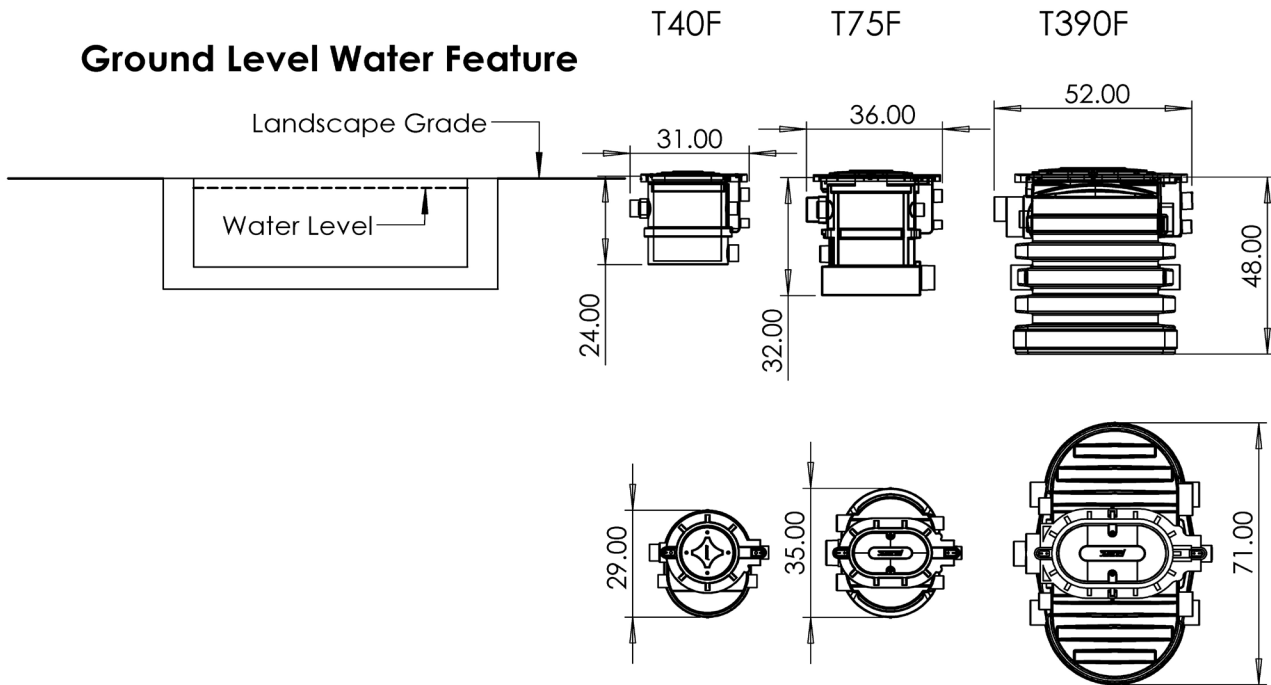
T75F With (2) T40SP



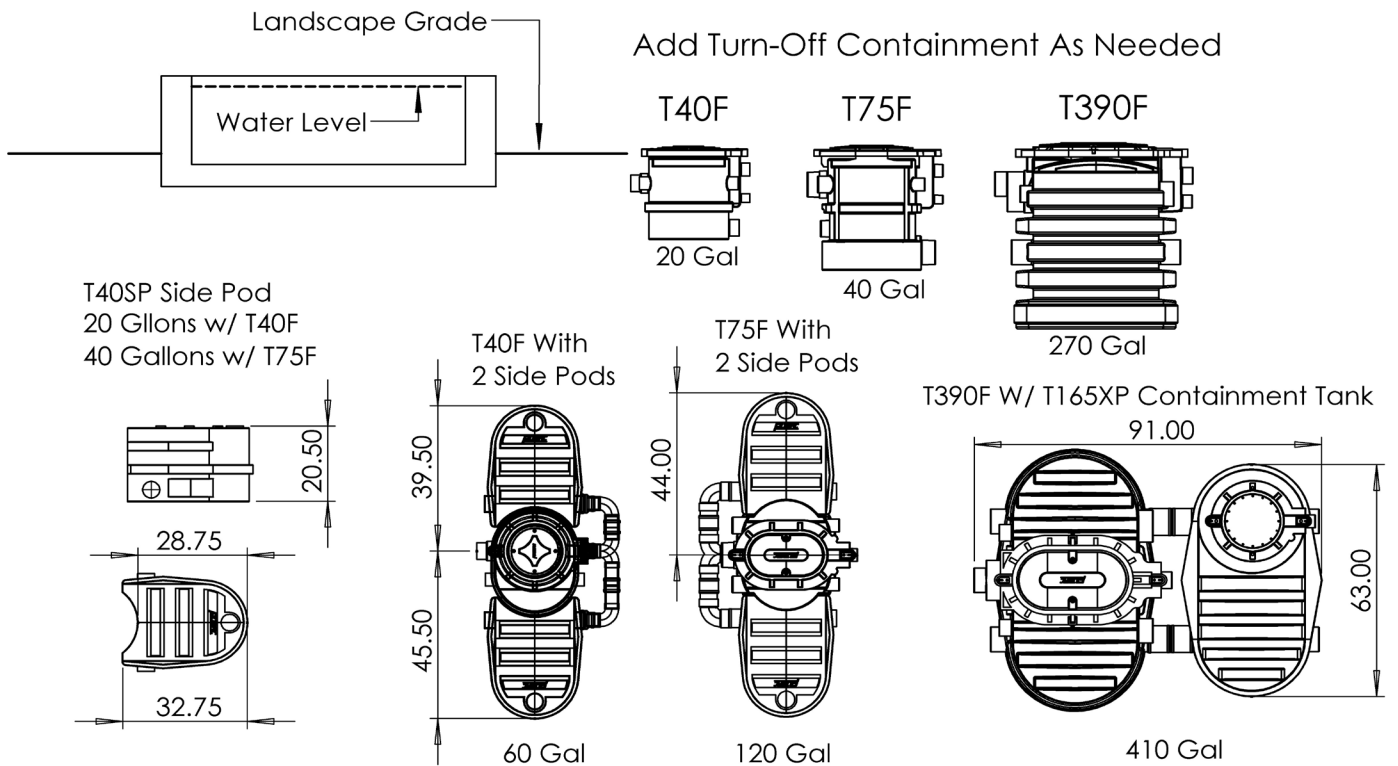
T390F

Ground Level and Elevated Water Features

Ground Level Water Feature



Elevated Water Feature





Filtrific®
13280 NE Spring Blvd.
Bellevue, WA 98005
P: 800.906.0604 • F: 425.482.9559
www.filtrific.com

Copyright 2026 by Filtrific® Company LLC. Printed in U.S.A.
Certain products illustrated in this catalog are protected
by applicable patents and patents pending. Filtrific® will
aggressively defend all of its intellectual property.