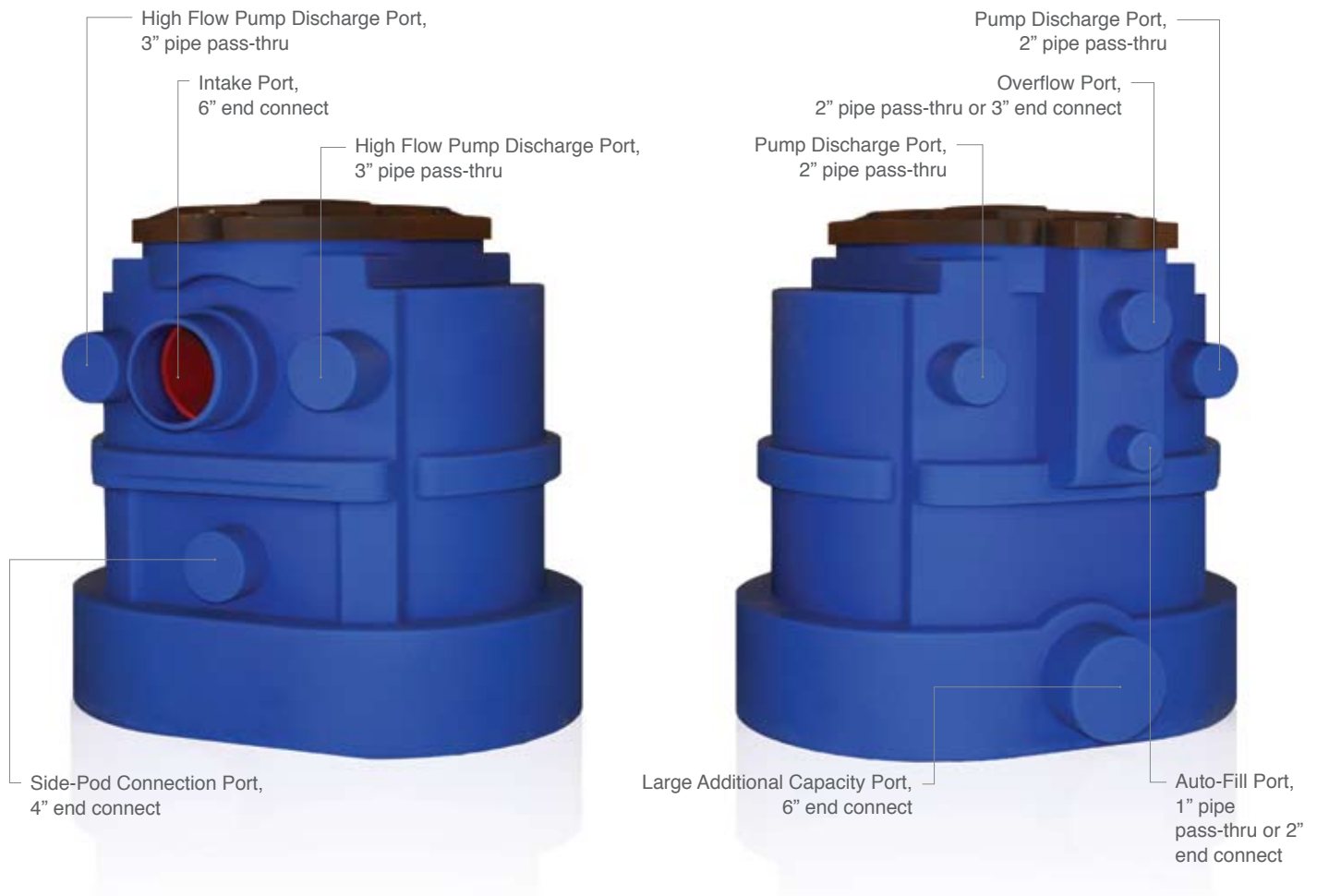


T75F FILTER TANK | FILTER TANKS

Dual filtering and a spacious pumping chamber, which houses up to four pumps, makes the T75F Filter Tank a favorite for any water feature flowing up to 200 GPM (12,000 GPH). This strong, structurally engineered Filter Tank works easily with both concrete and rubber liner making it ideal in both residential and commercial installations.



T75F FILTER TANK

MODEL: T75F

FEATURES:

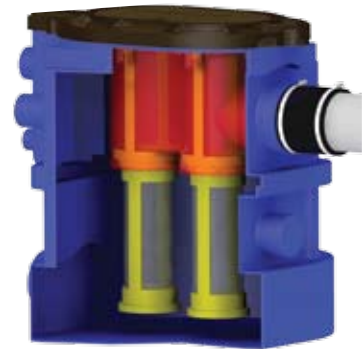
- Weight: 72 lbs
- Dimensions: L: 35", W: 36", H: 32"
- A 6" intake port handles flow rates up to 200 GPM (12,000 GPH)
- Handles flow rates up to 440 GPM (26,400 GPH) when used with RH15 series Filter Skimmers pg 32
- 75 gallon Filter Tank (provides 40 gallons of water-in-motion reserve @ 9" residual water depth)
- Can be placed away from the water feature
- Accepts interchangeable skimmers
- Large pumping chamber
- Bolt down integrated lid system
- Convenient filter access (Filter Basket purchased separately)
- Removable Filter Carriage
- Front & back discharge ports for up to four pumps
- Front and back additional capacity ports for expandable water containment

T75F FILTER TANK | FILTER TANKS

TECHNICAL SPECIFICATION

MODEL: T75F FILTER TANK

(filtered pump vault for submersible pumps & pumping accessories)



The Filter Tank shall be able to handle an intake water flow of 200 gallons per minute through a 6" intake port.

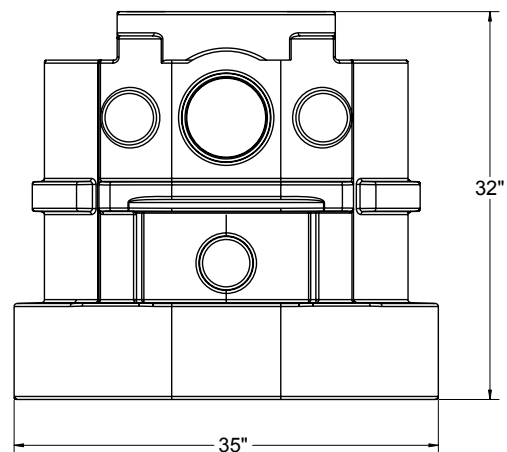
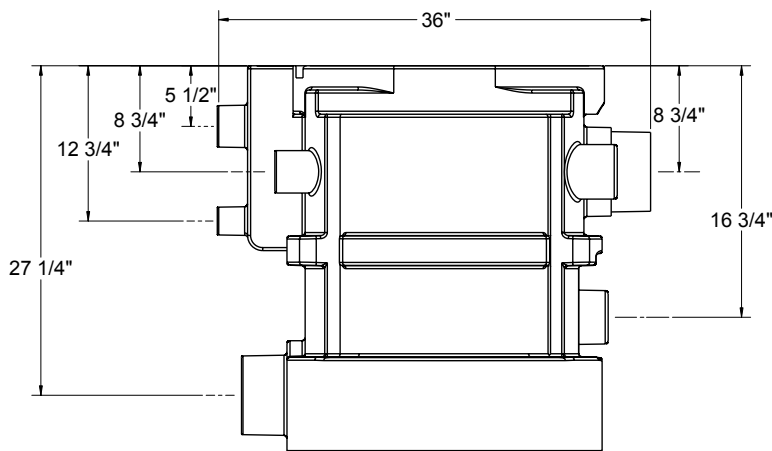
The Filter Tank shall be able to accept two removable filter baskets with a detachable 316 stainless steel element for periodic system cleaning. The Filter Tank shall feature a removable, integrated filter carriage, providing unobstructed access to

the pump chamber. The Filter Tank shall include 9 internal pipe connection ports.

The Filter Tank shall include a bolted lid with an inner filter element access cap for convenient filter removal.

The Filter Tank's dimensions shall be 35" x 36" x 32".

The Filter Tank shall be manufactured by Filtrific Company LLC, Woodinville Washington.



Filtrific®
15500 Woodinville-Redmond Road
Suite C-100 Woodinville, WA 98072
P: 800.906.0604 • F: 425.482.9559

www.filtrific.com