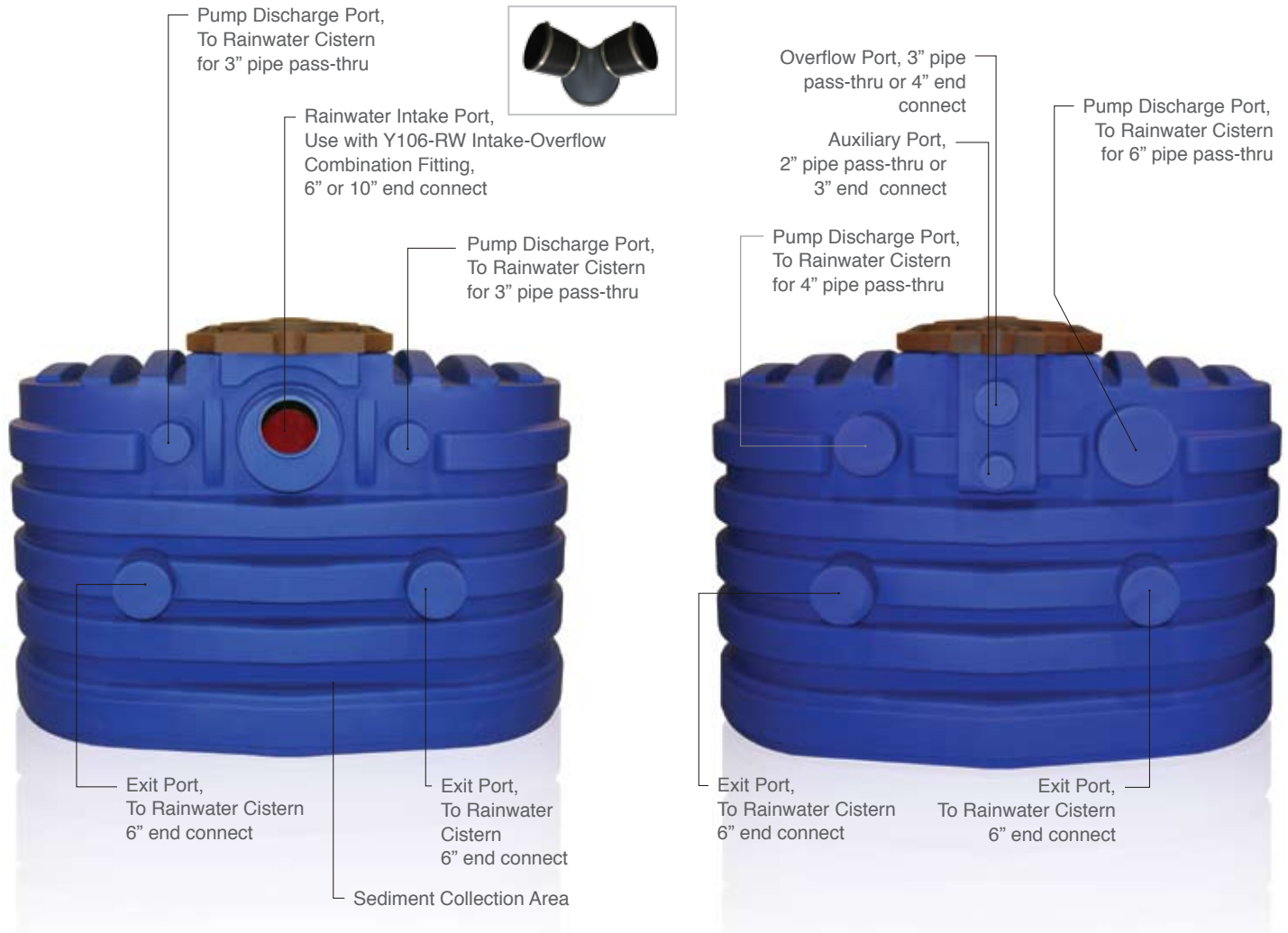


## RW390 RAINWATER FILTERS |

With flows up to 160 GPM (9,600 GPH) through two large filters, the Filtrific® RW390 is the perfect pre-filtration solution for large, high-flowing rainwater catchment systems.



### RW390 RAINWATER FILTER

#### FEATURES:

- Weight: 268 lbs
- 6" / 10" combination rainwater intake port handles flow rates up to 160 GPM (9,600 GPH)
- Interchangeable Stainless Steel Filters
- Large pumping chamber
- Bolt down integrated lid system
- Convenient filter access
- Removable Filter Carriage
- Front & back discharge ports for up to four pumps
- Exit Port for gravity fed systems (no pump)
- Auxiliary Port for custom components

#### MODEL: RW390-15024

MAX GPM FLOW: 60

FILTRATION:

- (1) 150 Mesh First-Flush Filter (100 Micron)
- (1) 24 Mesh Filter (680 Micron)

#### MODEL: RW390-2424

MAX GPM FLOW: 100

FILTRATION:

- (2) 24 Mesh Filters (680 Micron)

#### MODEL: RW390-2020

MAX GPM FLOW: 160

FILTRATION:

- (2) 20 Mesh Filters (841 Micron)

\* Additional mesh sizes and customized configurations are available upon request.

\*\* Model RW390-15024 provides a 150 Mesh First Flush Filter.

## RW390 RAINWATER FILTERS |

### TECHNICAL SPECIFICATION

#### RW390 SERIES RAINWATER FILTER

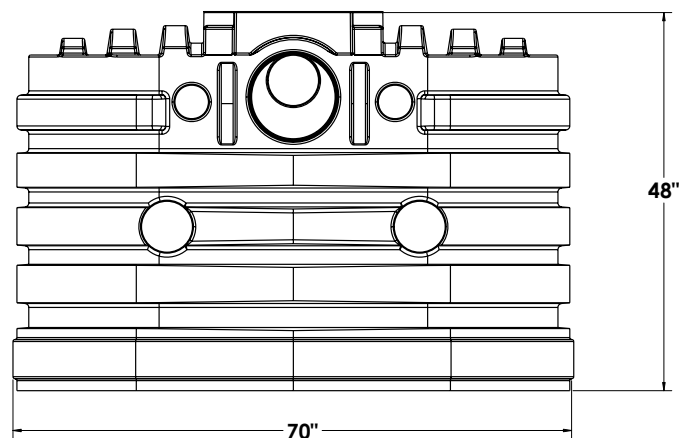
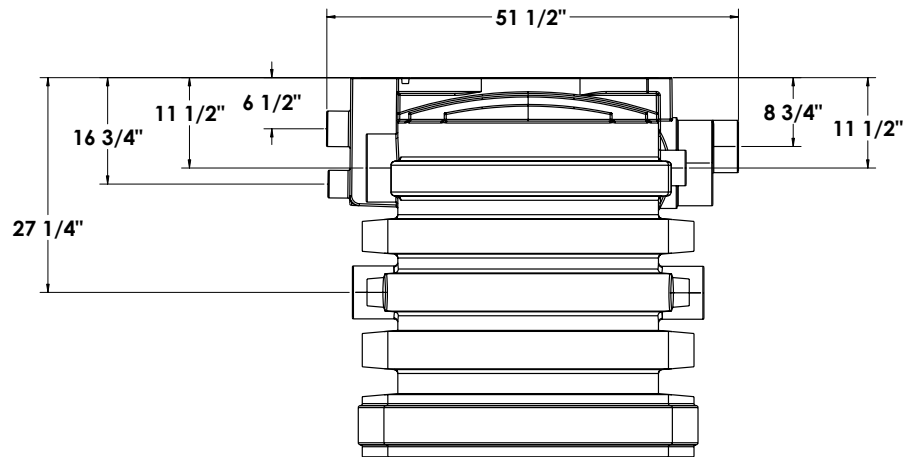
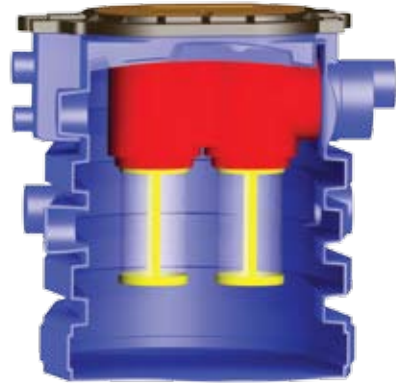
(pre-filtration for rainwater storage systems)

The Rainwater Filter shall provide a 6" / 10" combination intake port.

The Rainwater Filter shall be able to accept two removable filter baskets with a detachable 316 stainless steel element for periodic system cleaning. The Rainwater Filter shall feature a removable, integrated filter carriage, providing unobstructed access to the pump chamber. The Rainwater Filter shall include 11 internal pipe connection ports. The Rainwater Filter shall include a bolted lid with an inner filter element access cap for convenient filter removal.

The Rainwater Filter's dimensions shall be 70" x 51.5" x 48".

The Rainwater Filter shall be manufactured by Filtrific Company LLC, Bellevue Washington.



Filtrific®  
13212 NE 16th St.  
Suite C-101 Bellevue, WA 98072  
P: 800.906.0604 • F: 425.482.9559

[www.filtrific.com](http://www.filtrific.com)